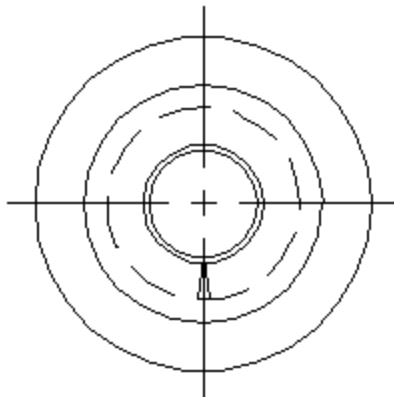
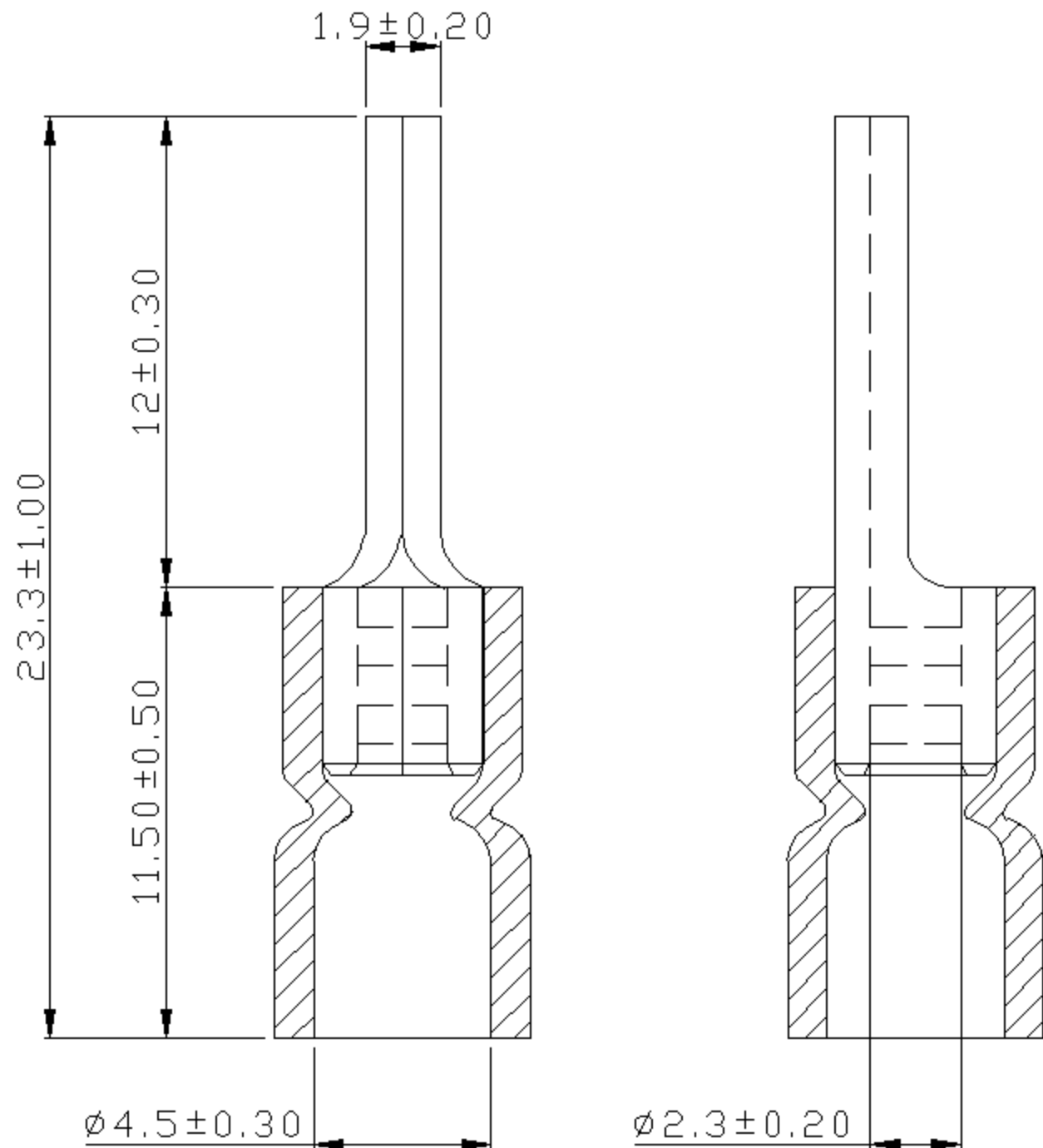


A B C D E F G H

REV	DESCRIPTION	DATE
-----	-------------	------



NOTE:

1. MAXIMUM ELECTRIC CURRENT : 

A.W.G.	16	14	
AMP.	18	30	
2. MAXIMUM ELECTRICAL RATING : 75°C 600 VOLTS MAX.
3. INSULATION MATERIAL : VINYL
4. INSULATION COLOR : BLUE
5. TERMINAL MATERIAL : COPPER
6. WIRE RANGE : 16-14 A.W.G.(1.5-2.5mm<sup>2</sup>)
7. TERMINALS SURFACE TREATMENT : TIN PLATED
8. TERMINALS THICKNESS : 0.8 mm

Tolerance Unless Otherwise Specified	
0 >6 mm ±0.20	ANGLE
6 >18 mm ±0.30	0° REF ±
18 >30 mm ±0.40	±
30 >75 mm ±0.50	±

NAME	VINYL-INSULATED (EASY ENTRY) PIN TERMINALS			UNIT	mm	
PART NO.	PTVE2-12	MATERIAL	-----	APPROVE	張馨尹	
NUMBER	KA-95703-C	SCALE	SHEET	PAGE	CHECKED	
DATE	2006/06/22	4/1	1-0	10F1	DRAWN	張馨尹

**KST** K.S. TERMINALS INC.

A B C D E F G H