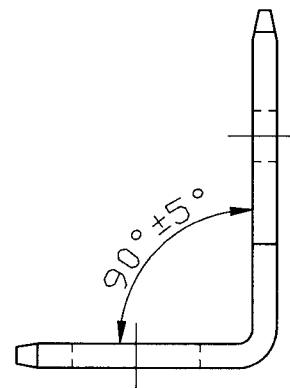
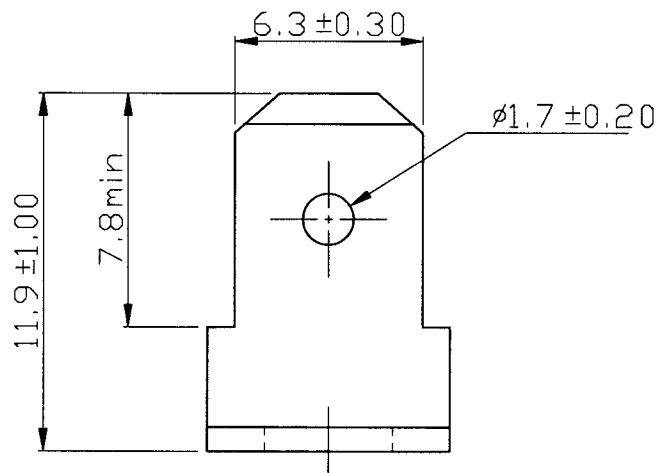
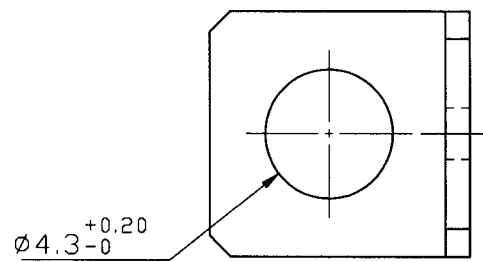


REV

DESCRIPTION

DATE



ITEM NO.
PC3L25004LR
PC3L25004LT

Tolerance Unless Otherwise Specified	
0 > 3 mm ± 0.20	ANGLE
3 > 15 mm ± 0.40	0° > ° REF \pm
15 > 32 mm ± 0.60	° > ° \pm
> mm \pm	° > ° \pm

NOTE :

- SURFACE TREATMENT :
 LR : LOOSE PIECE , STANDARD CHEMICAL TREATMENT (BRASS FINISH)
 LT : LOOSE PIECE , TIN PLATED
- NEMA TAB : 0.032 inch * 0.250 inch (0.8 mm * 6.35 mm)

NAME	MALE TERMINALS				UNIT	mm	
PART NO.	See Chart	MATERIAL	BRASS	APPROVE			
NUMBER	KT-94622-C	SCALE	SHEET	PAGE	CHECKED		
DATE	2007/04/30	4/1	1-0	2 OF 3	DRAWN	張馨尹	

KST. K.S. TERMINALS INC.