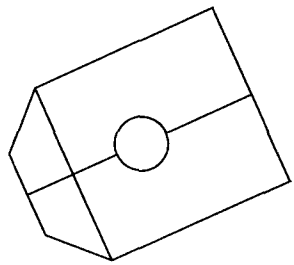
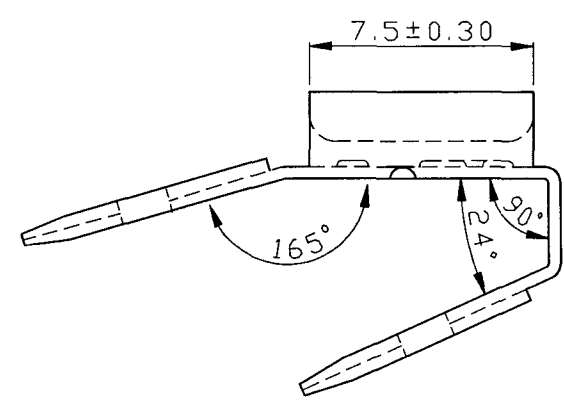
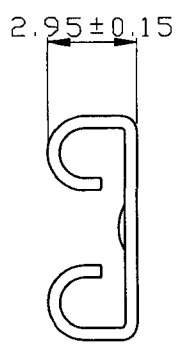
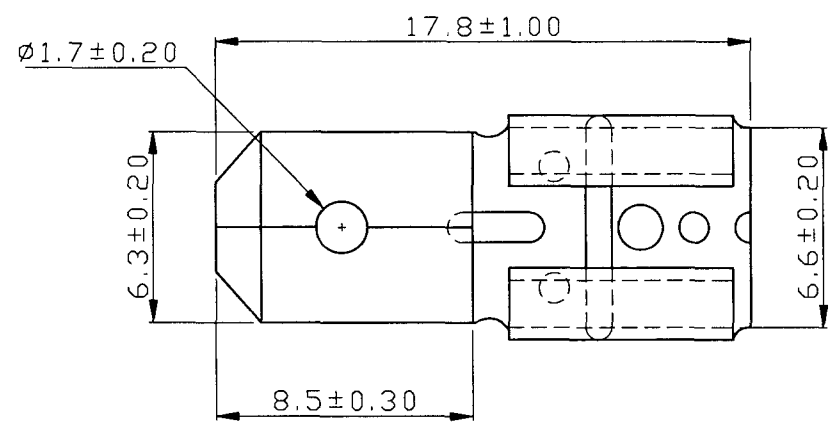


A B C D E F G H X

REV	DESCRIPTION	DATE
-----	-------------	------



NOTE :

1. NEMA TAB : 0.250 inch (6.35 mm)
2. SURFACE TREATMENT : TIN PLATED
3. DESCRIPTION : 3-WAY ADAPTER (2 MALE TAB)
4. THICKNESS : 0.4mm

Tolerance Unless Otherwise Specified	
0 > 6 mm ±0.20	ANGLE
6 > 18 mm ±0.30	0° > ° REF ±
18 > 30 mm ±0.40	° > ° ±
30 > 75 mm ±0.50	° > ° ±

NAME	MULTI-WAY ADAPTERS	UNIT	mm	mm	mm
PART NO.	TWALT	MATERIAL	BRASS	APPROVE	[Signature]
NUMBER	KT-96002-C	SCALE	SHEET PAGE	CHECKED	[Signature]
DATE	2007/01/17	4/1	1-0 20F2	DRAWN	張馨尹

KST. K.S. TERMINALS INC.

A B C D E F G H X