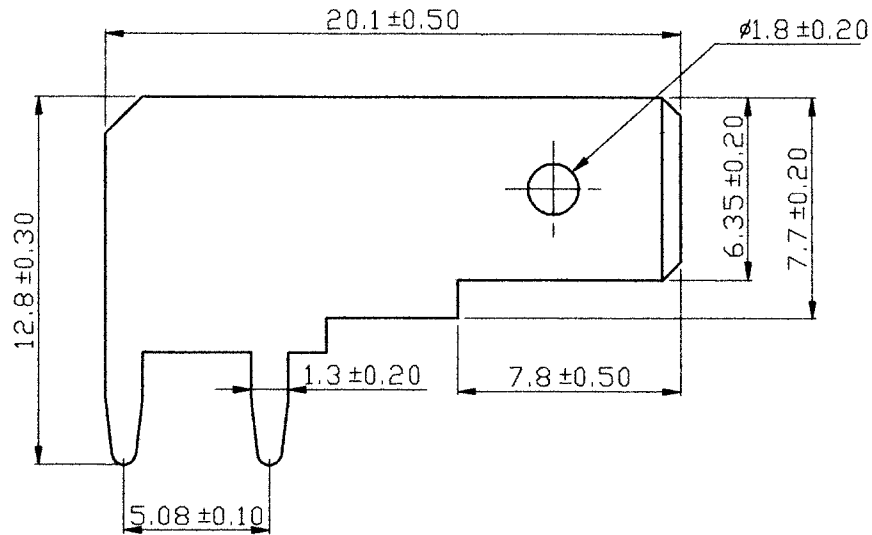


A B C D E F G H X

REV DESCRIPTION DATE



ITEM NO.
PC250-901LR
PC250-901LT

Tolerance Unless Otherwise Specified	
0 > 6 mm ± 0.20	ANGLE
6 > 18 mm ± 0.30	0° REF \pm
18 > 30 mm ± 0.40	° \pm
30 > 75 mm ± 0.50	° \pm

- NOTE:
1. LR : LOOSE PIECE , STANDARD CHEMICAL TREATMENT (BRASS FINISH)
 2. LT : LOOSE PIECE , TIN PLATED
 3. THICKNESS : 0.8 mm

NAME	MALE TERMINALS				UNIT	mm	
PART NO.	See Chart	MATERIAL	BRASS	APPROVE			
NUMBER	KT-95353-C	SCALE	SHEET	PAGE	CHECKED		
DATE	2006/04/04	4/1	1-0	10F1	DRAWN	張馨尹	

KST. K.S. TERMINALS INC.

A B C D E F G H X