

Customer Information Sheet

DRAWING No.: M90-701XX45

SHEET 2 OF 2

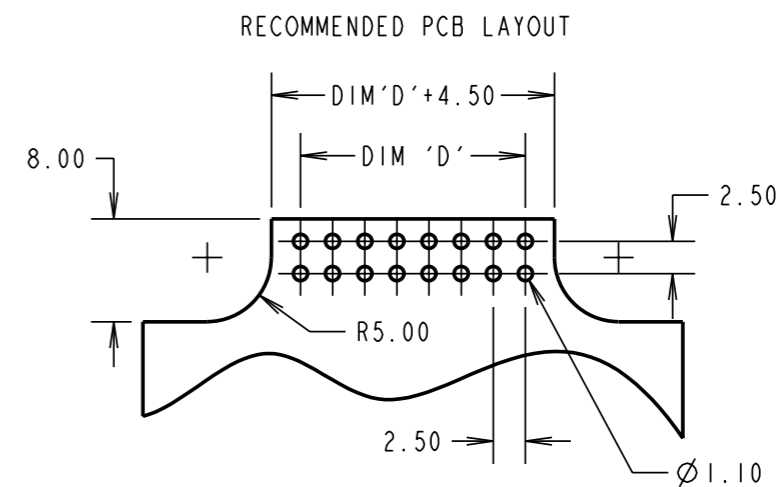
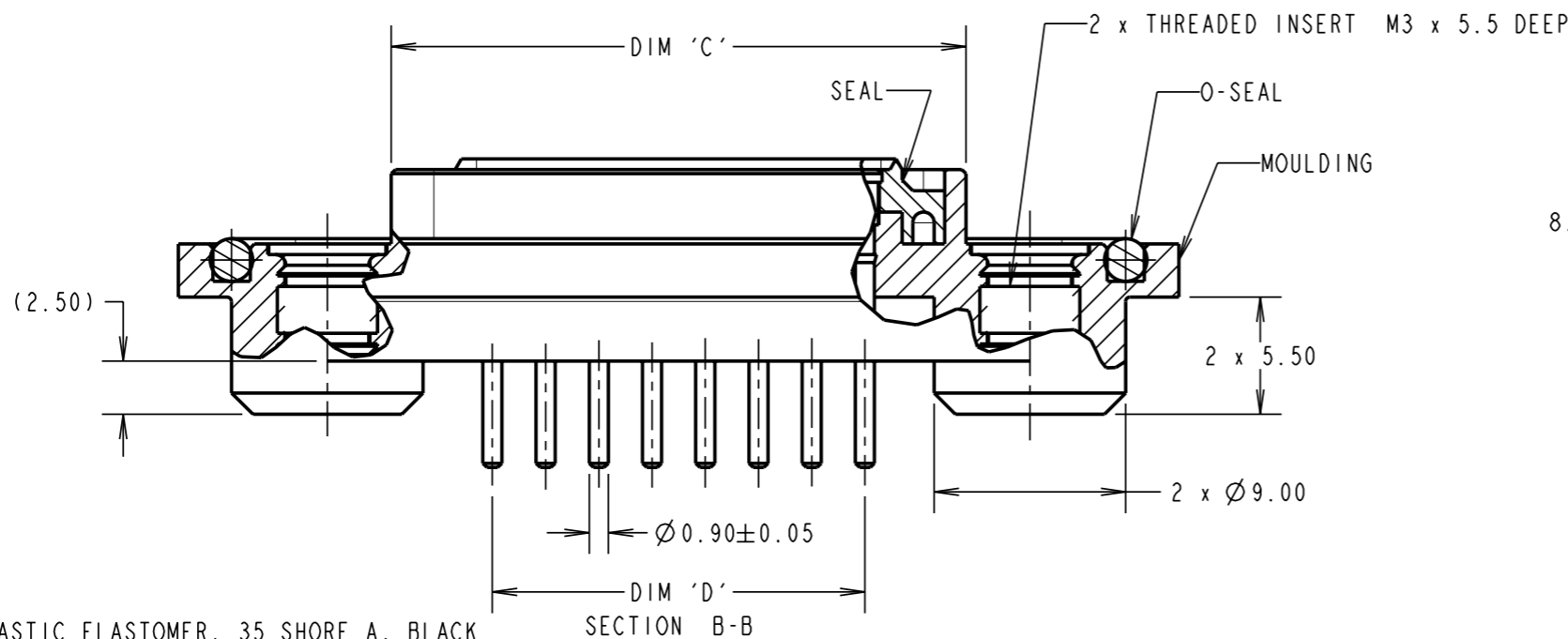
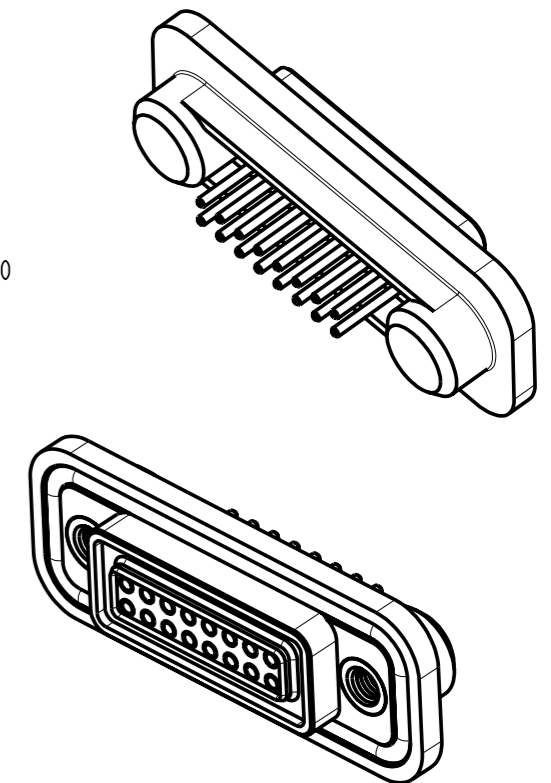
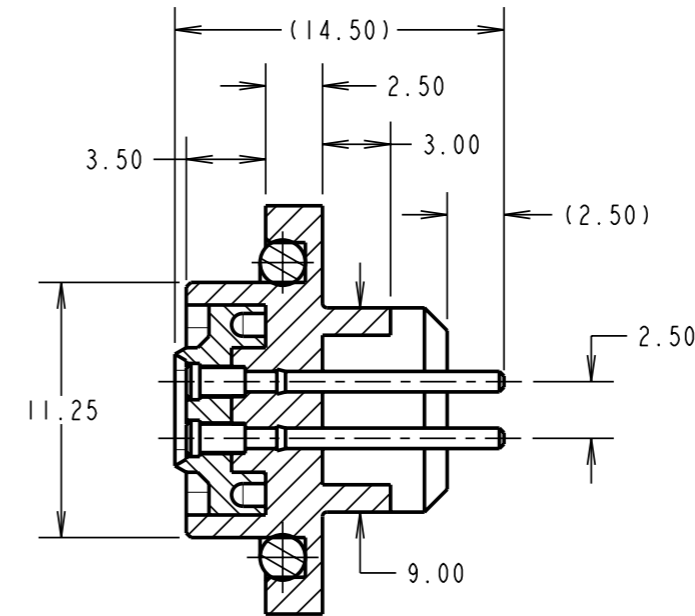
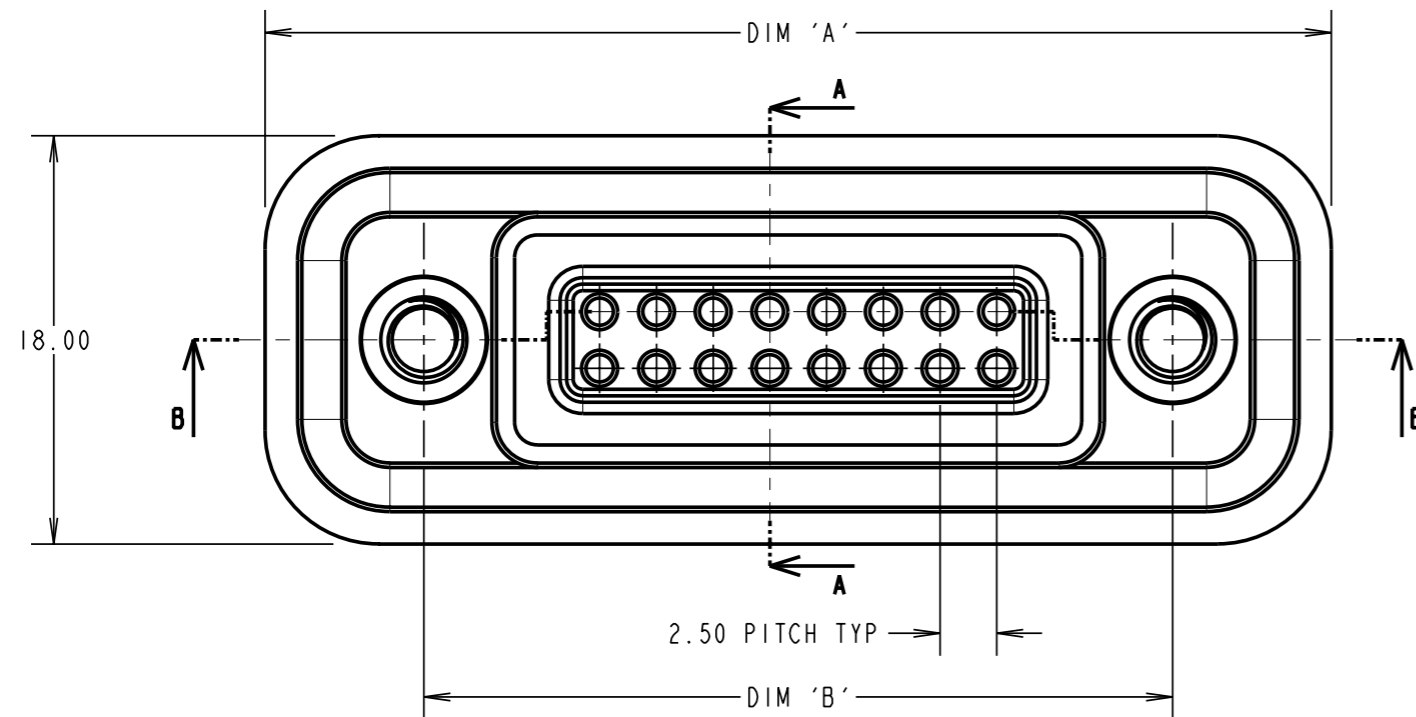
IF IN DOUBT - ASK

©

NOT TO SCALE

THIRD ANGLE PROJECTION

ALL DIMENSIONS IN mm



SPECIFICATION:
MATERIAL:
 SEAL: THERMOPLASTIC ELASTOMER, 35 SHORE A, BLACK
 O-SEAL: THERMOPLASTIC ELASTOMER, 35 SHORE A, BLACK
 MOULDING: 30% GLASS FILLED POLYAMIDE 46, UL94V-0, BLACK
 CONTACT: BRASS
 THREADED INSERT: BRASS
FINISH:
 CONTACT: GOLD OVER NICKEL
ELECTRICAL:
 CONTACT RATING: 1A
 WORKING VOLTAGE: 240V DC
 CONTACT RESISTANCE: 10 MILLIOHMS
 INSULATION RESISTANCE: 1000 MEGOHMS MIN AT 500V DC
ENVIRONMENTAL:
 OPERATING TEMPERATURE: -40°C - +100°C

- NOTES:**
 1. DRAWING SHOWS 16-WAY CONNECTOR.
 2. RECOMMENDED BULKHEAD MOUNTING THICKNESS: 1.50mm.
 3. RECOMMENDED MOUNTING SCREWS: M3 x 6 CSK.

PART No.	No. OF WAYS	DIMENSION			
		A	B	C	D
M90-7010845	8 WAY	37.00	23.00	17.00	7.50
M90-7011245	12 WAY	42.00	28.00	22.00	12.50
M90-7011645	16 WAY	47.00	33.00	27.00	17.50

RA	2	18.01.08	9950
NAME	ISS.	DATE	C/NOTE
APPROVED:		R. ADDE	
CHECKED:		M.G. PLESTED	
DRAWN:		N. CODLING	
CUSTOMER REF.:			
ASSEMBLY DRG:			

HARWIN

HARWIN INC U.S.A. TEL: (812) 542 2540 FAX: (812) 542 2541	HARWIN PLC U.K. TEL: 023 9231 4545 FAX: 023 9231 4590	HARWIN PTE SINGAPORE TEL: 65 6779 4909 FAX: 65 6779 3868
--	--	---

THIS DRAWING AND ANY INFORMATION OR DESCRIPTIVE MATTER SET OUT HEREON ARE CONFIDENTIAL AND COPYRIGHT PROPERTY OF THE HARWIN GROUP AND MUST NOT BE DISCLOSED, LOANED, COPIED OR USED FOR MANUFACTURING, TENDERING OR FOR ANY OTHER PURPOSE WITHOUT THEIR WRITTEN PERMISSION.

TOLERANCES
 X. = ±1mm
 X.X = ±0.25mm
 X.XX = ±0.10mm
 X.XXX = ±0.01mm
 ANGLES = ±5°
 UNLESS STATED

MATERIAL:
 SEE SPECIFICATION
FINISH:
 S/AREA: mm²

TITLE:
 FIXED CONTACT ASSEMBLY
DRAWING NUMBER:
 M90-701XX45
 SHT 2 OF 2