

Customer Information Sheet

DRAWING No.: M90-601XX45

SHEET 2 OF 2

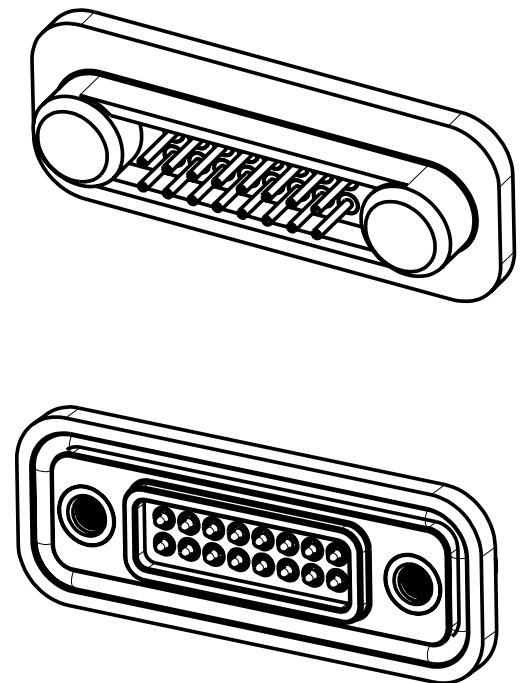
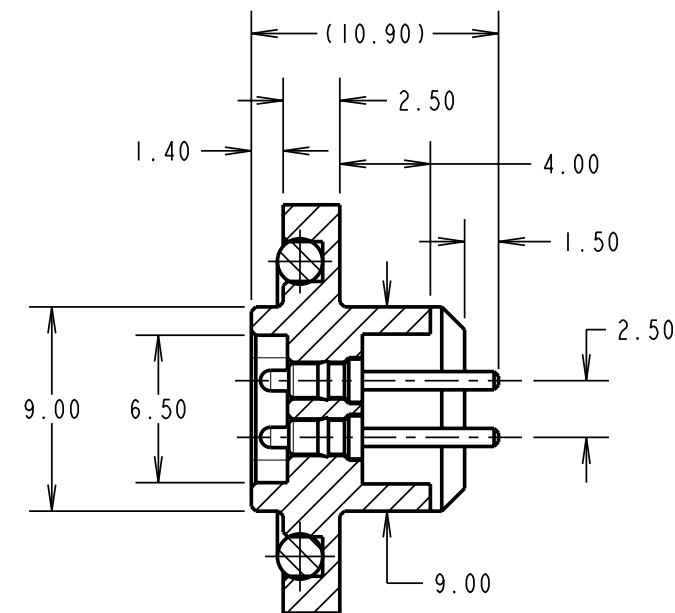
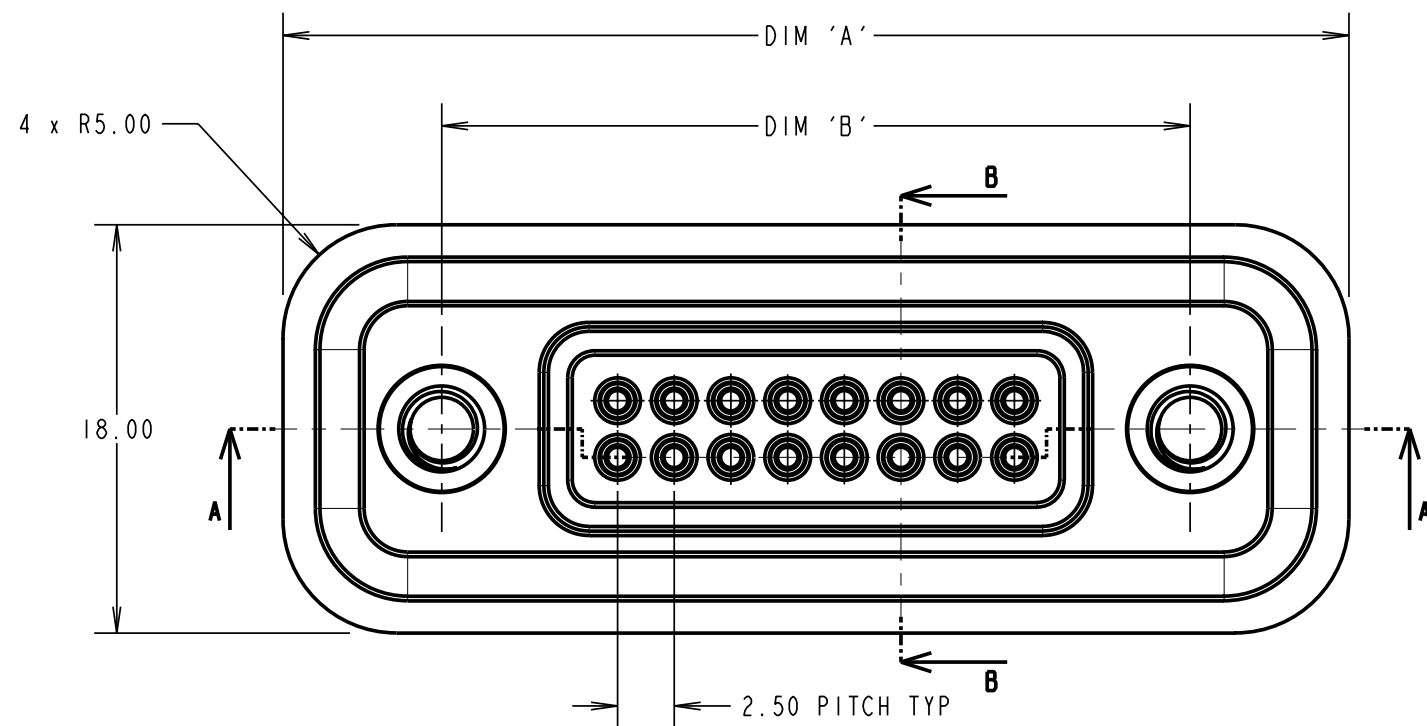
IF IN DOUBT - ASK

©

NOT TO SCALE

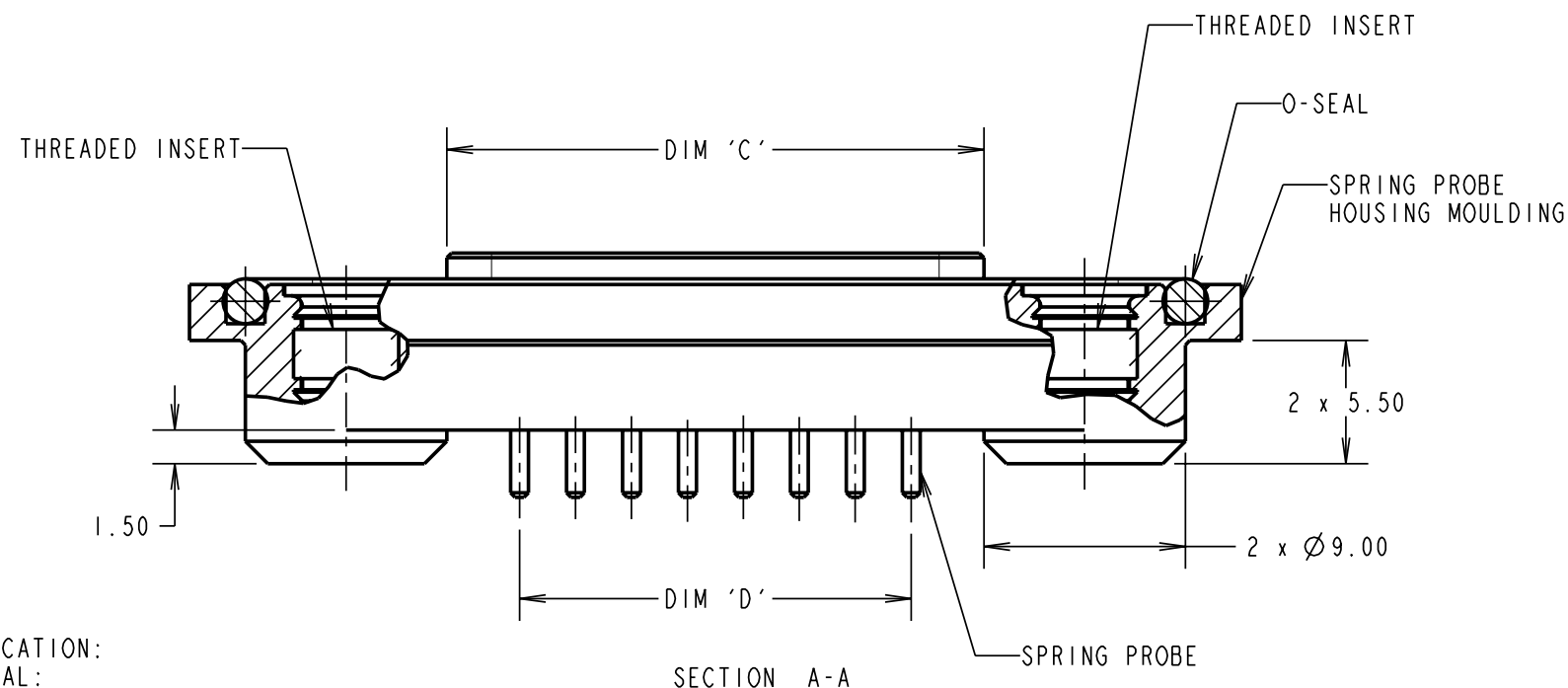
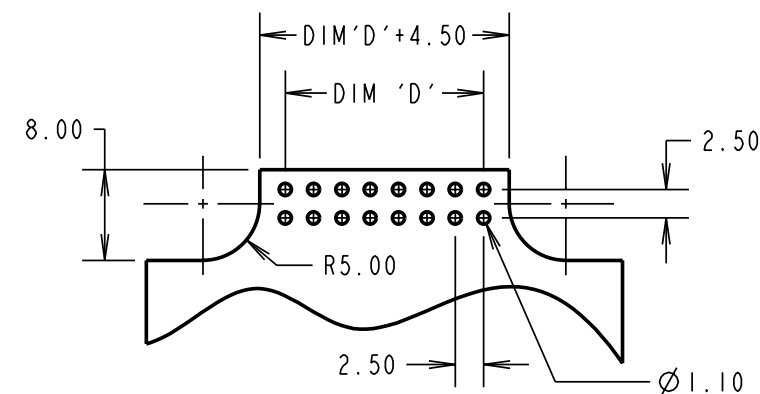
THIRD ANGLE PROJECTION

ALL DIMENSIONS IN mm



SECTION B-B

RECOMMENDED PCB LAYOUT



SECTION A-A

SPECIFICATION:

MATERIAL:
 O-SEAL: ENFLEX TPE, 35 SHORE A
 MOULDING: 30% GLASS FILLED POLYAMIDE 46
 OR NYLON 6T, UL94V-0, BLACK
 SPRING PROBE: BRASS
 THREADED INSERT: BRASS
FINISH:
 SPRING PROBE: GOLD
ELECTRICAL:
 CONTACT RATING: 1A
 WORKING VOLTAGE: 240V DC
 CONTACT RESISTANCE: 30 MILLIOHMS
 INSULATION RESISTANCE: 1000 MEGOHMS MIN AT 500V DC
ENVIRONMENTAL:
 OPERATING TEMPERATURE: -40°C - +100°C

NOTES:

- DRAWING SHOWS 16-WAY CONNECTOR.
- RECOMMENDED BULKHEAD MOUNTING THICKNESS: 1.50mm.
- RECOMMENDED MOUNTING SCREWS: M3x6 CSK.

PART No.	No. OF WAYS	DIMENSION			
		A	B	C	D
M90-6010845	8 WAY	37.00	23.00	14.00	7.50
M90-6011245	12 WAY	42.00	28.00	19.00	12.50
M90-6011645	16 WAY	47.00	33.00	24.00	17.50

RA	I	30.10.07	9464
NAME	ISS.	DATE	C/NOTE
APPROVED: R. ADDE			
CHECKED: N. CODLING			
DRAWN: N. CODLING			
CUSTOMER REF.:			
ASSEMBLY DRG:			

HARWIN

HARWIN INC U.S.A. TEL: (812) 542 2540 FAX: (812) 542 2541	HARWIN PLC U.K. TEL: 023 9231 4545 FAX: 023 9231 4590	HARWIN PTE SINGAPORE TEL: 65 6779 4909 FAX: 65 6779 3868
--	--	---

THIS DRAWING AND ANY INFORMATION OR DESCRIPTIVE MATTER SET OUT HEREON ARE CONFIDENTIAL AND COPYRIGHT PROPERTY OF THE HARWIN GROUP AND MUST NOT BE DISCLOSED, LOANED, COPIED OR USED FOR MANUFACTURING, TENDERING OR FOR ANY OTHER PURPOSE WITHOUT THEIR WRITTEN PERMISSION.

TOLERANCES
 X. = ±1mm
 X.X = ±0.25mm
 X.XX = ±0.10mm
 X.XXX = ±0.01mm
 ANGLES = ±5°
 UNLESS STATED

MATERIAL:
 SEE SPECIFICATION
FINISH:
S/AREA: mm²

TITLE:
 SPRING PROBE ASSEMBLY
DRAWING NUMBER:
 M90-601XX45
 SHT 2 OF 2