

# Customer Information Sheet

DRAWING No.: M80-828XXXX

SHEET 2 OF 2

IF IN DOUBT - ASK

Ⓒ

NOT TO SCALE

THIRD ANGLE PROJECTION

ALL DIMENSIONS IN mm

ORDER CODE:

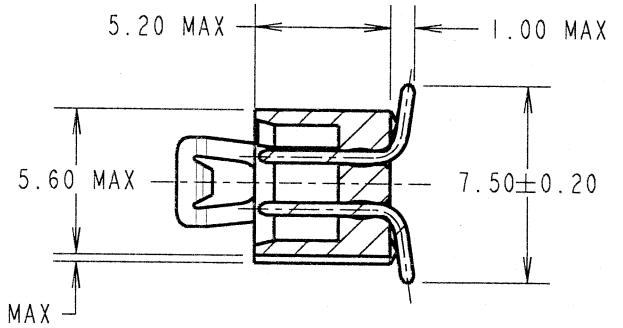
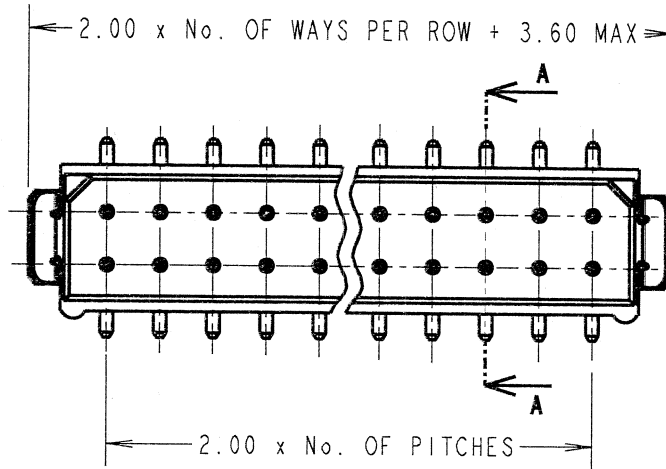
**M80-828XXXX**

TOTAL No. OF WAYS

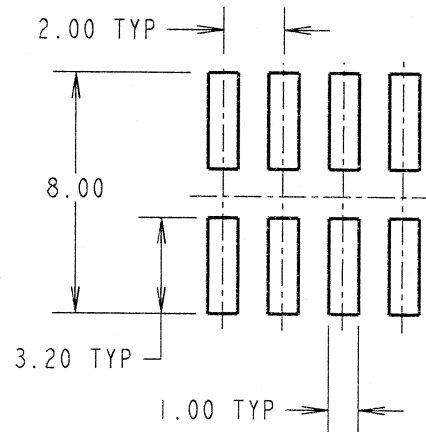
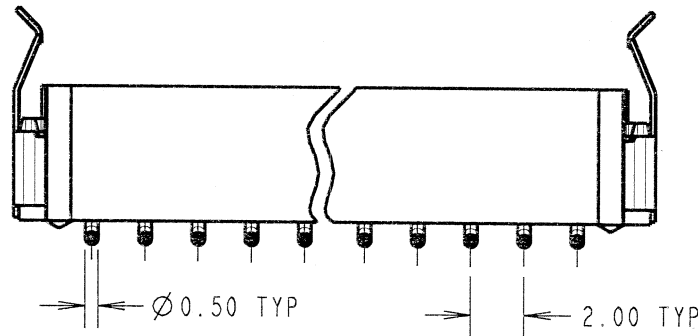
04, 06, 08, 10, 12  
14, 16, 18, 20, 26  
34, 44

FINISH

06 - TIN/LEAD  
22 - SELECTIVE GOLD  
+ TIN/LEAD  
42 - SELECTIVE GOLD  
+ 100% TIN  
45 - GOLD  
46 - 100% TIN



SECTION A-A



RECOMMENDED  
PCB LAYOUT

**SPECIFICATIONS:**

**MATERIAL:**  
MOULDING = POLYAMIDE 46 UL94V-0, BLACK  
CONTACTS = PHOSPHOR BRONZE  
LATCHES = BERYLLIUM COPPER

**FINISH:**  
**CONTACTS:**  
06 = 3.0µ 90/10 TIN/LEAD ALL OVER  
22 = 0.75µ GOLD ON CONTACT AREA,  
3.0µ 90/10 TIN/LEAD ON TAILS  
42 = 0.75µ GOLD ON CONTACT AREA,  
3.0µ 100% TIN ON TAILS  
45 = 0.75µ GOLD ALL OVER  
46 = 3.0µ 100% TIN ALL OVER  
LATCH = 1.25µ NICKEL

**ELECTRICAL:**  
CURRENT RATING AT 25°C = 3.0A MAX  
CURRENT RATING AT 85°C = 2.2A MAX  
WORKING VOLTAGE = 120V AC/DC  
VOLTAGE PROOF = 360V AC/DC  
CONTACT RESISTANCE (INITIAL) = 20 mΩ MAX  
CONTACT RESISTANCE (AFTER CONDITIONING) = 25 mΩ MAX  
INSULATION RESISTANCE (INITIAL) = 1,000 MΩ MIN  
INSULATION RESISTANCE (AFTER CONDITIONING) = 100 MΩ MIN

**MECHANICAL:**  
DURABILITY = 500 OPERATIONS  
**ENVIRONMENTAL:**  
TEMPERATURE RANGE = -55°C TO +125°C  
**PACKING:**  
TUBE  
FOR COMPLETE SPECIFICATION, SEE COMPONENT  
SPECIFICATION C005XX (LATEST ISSUE)

JMB	7	26.10.05	8807
NAME	ISS.	DATE	C/NOTE
APPROVED: <i>[Signature]</i>			
CHECKED: <i>[Signature]</i>			
DRAWN: I. SANDY		CUSTOMER REF.:	
ASSEMBLY DRG:			

**HARWIN**

THIS DRAWING AND ANY INFORMATION OR DESCRIPTIVE MATTER SET OUT HEREON ARE CONFIDENTIAL AND COPYRIGHT PROPERTY OF THE HARWIN GROUP AND MUST NOT BE DISCLOSED, LOANED, COPIED OR USED FOR MANUFACTURING, TENDERING OR FOR ANY OTHER PURPOSE WITHOUT THEIR WRITTEN PERMISSION.

**TOLERANCES**  
X. = ±1mm  
X.X = ±0.25mm  
X.XX = ±0.10mm  
X.XXX = ±0.01mm  
ANGLES = ±5°  
UNLESS STATED

**MATERIAL:**  
SEE ABOVE  
**FINISH:** SEE ABOVE  
**S/AREA:** mm<sup>2</sup>

**TITLE:** DATAMATE DIL  
VERTICAL SMT PLUG  
ASSEMBLY - LATCHED  
**DRAWING NUMBER:**  
**M80-828XXXX**

<b>HARWIN INC</b> U.S.A. TEL: (812) 542 2540 FAX: (812) 542 2541	<b>HARWIN PLC</b> U.K. TEL: 023 9231 4545 FAX: 023 9231 4590	<b>HARWIN PTE</b> SINGAPORE TEL: 65 6779 4909 FAX: 65 6779 3868
---	---	--