

# Customer Information Sheet

DRAWING No.: M80-850XXX

SHEET 2 OF 2

IF IN DOUBT - ASK

©

NOT TO SCALE

THIRD ANGLE PROJECTION

ALL DIMENSIONS IN mm

ORDER CODE:

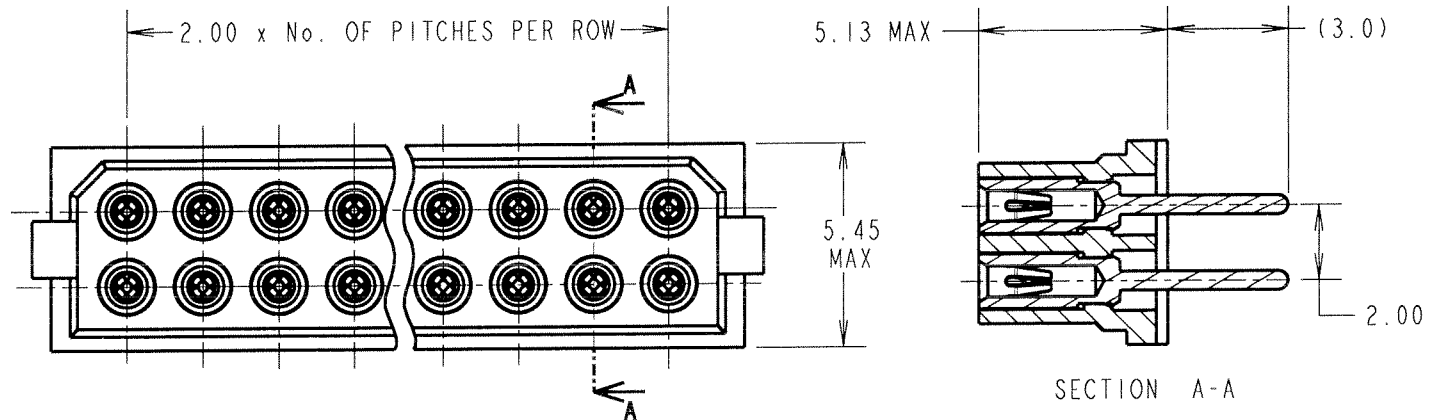
**M80-850XXX**

TOTAL No. OF WAYS \_\_\_\_\_

04, 06, 08, 10, 12, 14, 16,  
18, 20, 26, 34, 44

FINISH: \_\_\_\_\_

45 = GOLD SHELL, GOLD CLIP  
42 = 100% TIN SHELL, GOLD CLIP



SPECIFICATIONS:

MATERIAL:

MOULDING = POLYAMIDE 46 UL94V-0, BLACK  
CONTACTS = BERYLLIUM COPPER

FINISH:

CONTACTS:

45 = 0.30µ GOLD CLIP, 0.28µ GOLD SHELL  
42 = 0.30µ GOLD CLIP, 4.0µ 100% TIN SHELL

ELECTRICAL:

CURRENT RATING (25°C) = 3.0A MAX.

CURRENT RATING (85°C) = 2.2A MAX.

WORKING VOLTAGE = 120V AC/DC

VOLTAGE PROOF = 360V AC/DC

CONTACT RESISTANCE:

INITIAL = 20 mΩ MAX.

AFTER CONDITIONING = 25 mΩ MAX.

INSULATION RESISTANCE:

INITIAL = 1000 MΩ MIN.

AFTER CONDITIONING = 100 MΩ MIN.

MECHANICAL:

DURABILITY = 500 OPERATIONS

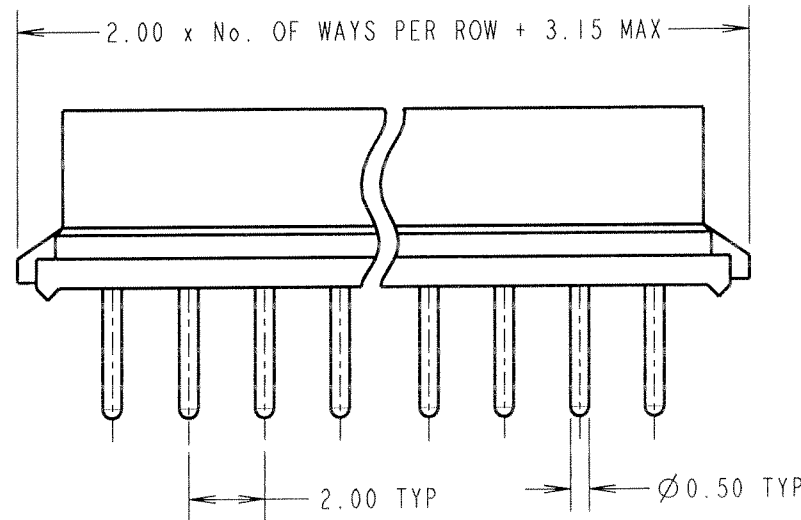
ENVIRONMENTAL:

TEMPERATURE RANGE = -55°C TO +125°C

PACKING:

TUBE

FOR COMPLETE SPECIFICATION, SEE COMPONENT SPECIFICATION C005XX (LATEST ISSUE)



NOTES:

1. RECOMMENDED HOLE SIZE = Ø0.80mm.

RA	7	23.05.07	9760
NAME	ISS.	DATE	C/NOTE
APPROVED: <i>[Signature]</i>			
CHECKED: <i>[Signature]</i>			
DRAWN: I. SANDY			
CUSTOMER REF.:			
ASSEMBLY DRG:			

## HARWIN

HARWIN USA  
TEL: 603 893 5376  
FAX: 603 893 5396  
mis@harwin.com

HARWIN Europe (UK)  
TEL: 023 9231 4545  
FAX: 023 9231 4590  
mis@harwin.co.uk

HARWIN Asia  
TEL: +65 6 779 4909  
FAX: +65 6 779 3868  
mis@harwin.com.sg

THIS DRAWING AND ANY INFORMATION OR DESCRIPTIVE MATTER SET OUT HEREON ARE CONFIDENTIAL AND COPYRIGHT PROPERTY OF THE HARWIN GROUP AND MUST NOT BE DISCLOSED, LOANED, COPIED OR USED FOR MANUFACTURING, TENDERING OR FOR ANY OTHER PURPOSE WITHOUT THEIR WRITTEN PERMISSION.

TOLERANCES

X. = ±1mm  
X.X = ±0.25mm  
X.XX = ±0.10mm  
X.XXX = ±0.01mm

ANGLES = ±5°  
UNLESS STATED

MATERIAL:

SEE ABOVE

FINISH: SEE ABOVE

S/AREA:

mm<sup>2</sup>

TITLE:

DATAMATE DIL  
VERTICAL PC TAIL SOCKET  
ASSEMBLY (RoHS)

DRAWING NUMBER:

**M80-850XXX**

SHT  
2  
OF  
2