

# Customer Information Sheet

DRAWING No.: M80-853XXX

SHEET 2 OF 2

IF IN DOUBT - ASK

(C)

NOT TO SCALE

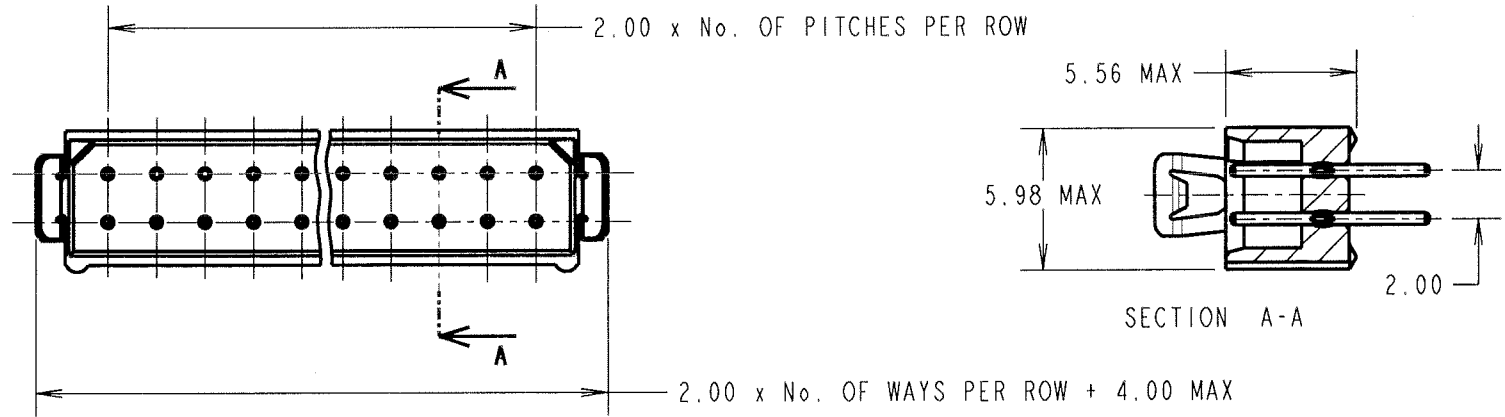
THIRD ANGLE PROJECTION

ALL DIMENSIONS IN mm

ORDER CODE:  
**M80-853XXX**

TOTAL No. OF WAYS  
04, 06, 08, 10, 12, 14, 16,  
18, 20, 26, 34, 44

FINISH:  
45 = GOLD  
42 = SELECTIVE GOLD / 100% TIN



NOTES:  
1. 2-OFF STRAIN RELIEF STRAPS  
M80-0030006 MAY BE USED  
WITH THIS CONNECTOR.

**SPECIFICATIONS:**

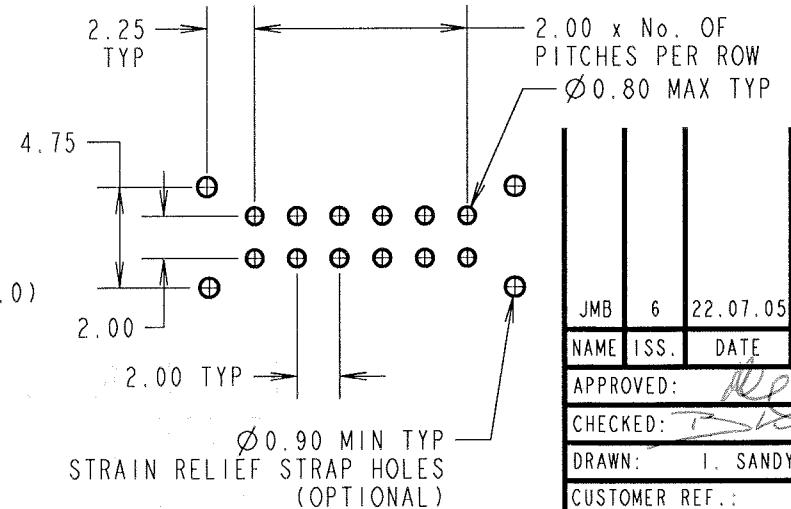
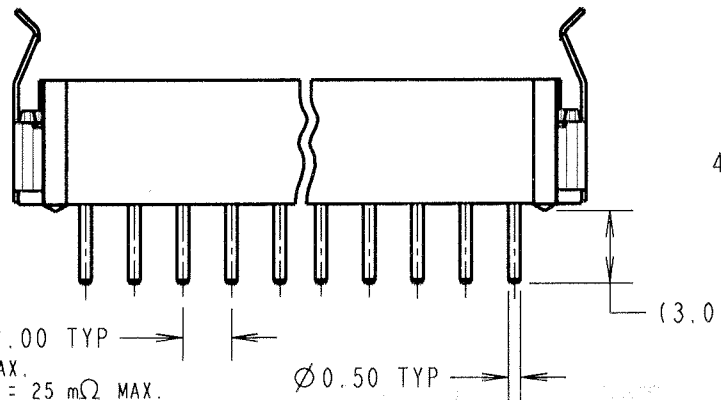
**MATERIAL:**  
MOULDING = POLYAMIDE 46 UL94V-0, BLACK  
CONTACTS = PHOSPHOR BRONZE  
LATCHES = BERYLLIUM COPPER

**FINISH:**  
**CONTACTS:**  
45 = 0.75µ GOLD  
42 = 0.75µ GOLD ON CONTACT AREA.  
3.0µ 100% TIN ON TAILS  
**LATCH = 1.25µ NICKEL**

**ELECTRICAL:**  
CURRENT RATING (25°C) = 3.0A MAX.  
CURRENT RATING (85°C) = 2.2A MAX.  
WORKING VOLTAGE = 120V AC/DC  
VOLTAGE PROOF = 360V AC/DC  
CONTACT RESISTANCE (INITIAL) = 20 mΩ MAX.  
CONTACT RESISTANCE (AFTER CONDITIONING) = 25 mΩ MAX.  
INSULATION RESISTANCE (INITIAL) = 1000 MΩ MIN.  
INSULATION RESISTANCE (AFTER CONDITIONING) = 100 MΩ MIN.

**MECHANICAL:**  
DURABILITY = 500 OPERATIONS  
**ENVIRONMENTAL:**  
TEMPERATURE RANGE = -55°C TO +125°C

**PACKING:**  
TUBE  
FOR COMPLETE SPECIFICATION, SEE COMPONENT SPECIFICATION  
C005XXX (LATEST ISSUE)



RECOMMENDED PCB LAYOUT

JMB	6	22.07.05	8633
NAME	ISS.	DATE	C/NOTE
APPROVED: <i>[Signature]</i>			
CHECKED: <i>[Signature]</i>			
DRAWN: I. SANDY			
CUSTOMER REF.:			
ASSEMBLY DRG:			

**HARWIN**

THIS DRAWING AND ANY INFORMATION OR DESCRIPTIVE MATTER SET OUT HEREON ARE CONFIDENTIAL AND COPYRIGHT PROPERTY OF THE HARWIN GROUP AND MUST NOT BE DISCLOSED, LOANED, COPIED OR USED FOR MANUFACTURING, TENDERING OR FOR ANY OTHER PURPOSE WITHOUT THEIR WRITTEN PERMISSION.

**TOLERANCES**  
X. = ±1mm  
X.X = ±0.25mm  
X.XX = ±0.10mm  
X.XXX = ±0.01mm  
**ANGLES = ±5°**  
UNLESS STATED

**MATERIAL:**  
SEE ABOVE  
**FINISH:** SEE ABOVE  
**S/AREA:** mm<sup>2</sup>

**TITLE:** DATAMATE DIL  
VERTICAL PC TAIL PLUG  
ASSEMBLY - LATCHED (RoHS)

**DRAWING NUMBER:**  
**M80-853XXX**

SHT  
2 OF 2

<b>HARWIN INC</b> U.S.A. TEL: (812) 542 2540 FAX: (812) 542 2541	<b>HARWIN PLC</b> U.K. TEL: 023 9231 4545 FAX: 023 9231 4590	<b>HARWIN PTE</b> SINGAPORE TEL: 65 6779 4909 FAX: 65 6779 3868
---	---	--