

Customer Information Sheet

DRAWING No.: M50-315XXXX

SHEET 2 OF 2

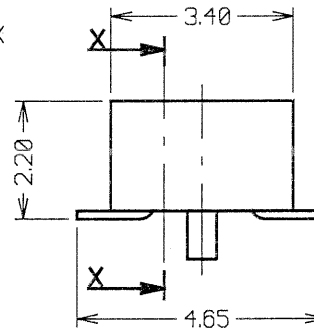
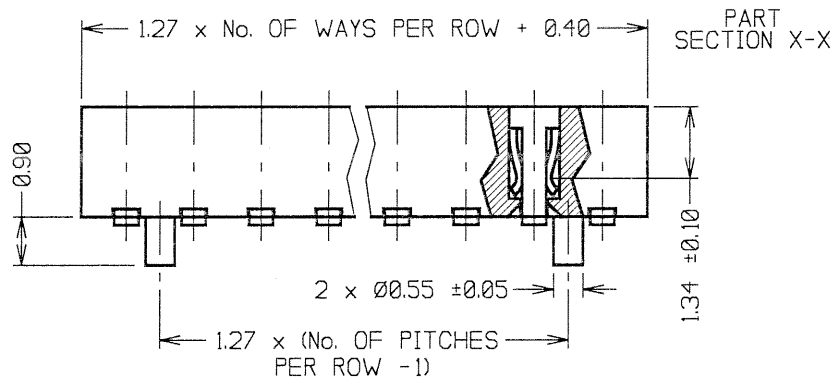
IF IN DOUBT - ASK

(C)

NOT TO SCALE

THIRD ANGLE PROJECTION

ALL DIMENSIONS IN mm

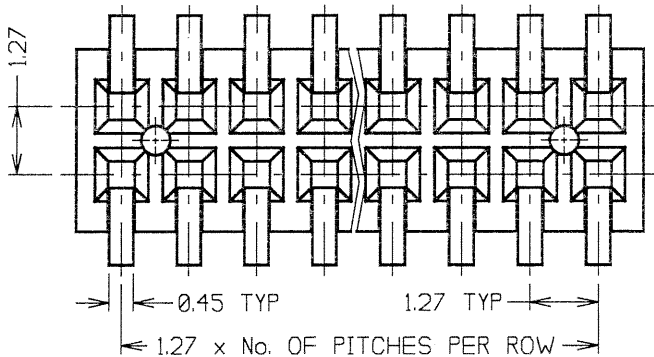


SPECIFICATIONS:

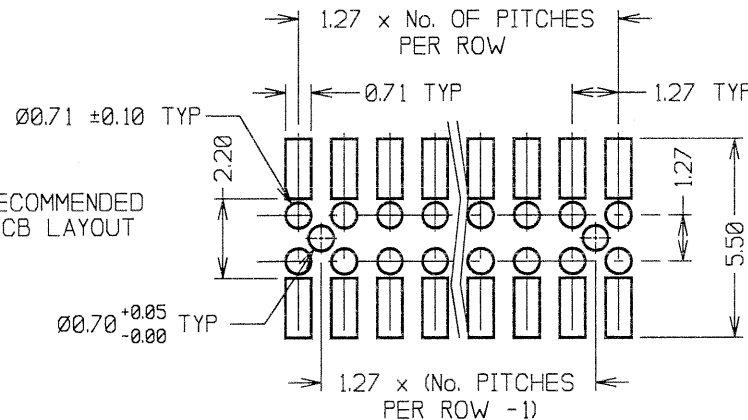
- MATERIAL:**
 MOULDING - 30% GLASS-FILLED NYLON-6T UL94V-0
 CONTACTS - PHOSPHOR BRONZE
- FINISH:**
 42 - GOLD ON CONTACT AREA, 100% TIN ON TAILS
- ELECTRICAL:**
 CURRENT RATING - (ALL CONTACTS ARE ELECTRICALLY LOADED) = 1 AMP
 CONTACT RESISTANCE - 15 MILLIOHMS MAX
 INSULATION RESISTANCE - 1000 MEGOHMS MIN @ 250V
 DIELECTRIC WITHSTANDING - 1000V AC MIN (1 MINUTE)
- MECHANICAL:**
 CONTACT RETENTION - 2.5N MIN
 INSERTION FORCE - 2.0N MAX
 WITHDRAWAL FORCE - 0.3N MIN
 SOLDERABILITY - 260°C FOR 3 SECONDS
 DURABILITY - 25 CYCLES
- ENVIRONMENTAL:**
 TEMPERATURE RANGE - -55°C TO +105°C
- PACKING:**
 TUBE
- FOR COMPLETE SPECIFICATION, SEE COMPONENT SPECIFICATION C029XX (LATEST ISSUE).

NOTES:

- ALL TOLERANCES ARE ±0.25 UNLESS OTHERWISE STATED.



RECOMMENDED PCB LAYOUT



ORDER CODE:

M50-315XXXX

No. OF WAYS PER ROW
 03 TO 50

FINISH:
 42 = SELECTIVE GOLD + 100% TIN

JMB	7	28.03.06	9127
NAME	ISS.	DATE	C/NOTE
APPROVED: <i>[Signature]</i>			
CHECKED: <i>[Signature]</i>			
DRAWN: W. J. BOURNE			
CUSTOMER REF.:			
ASSEMBLY DRG:			

HARWIN

HARWIN USA TEL: 603 893 5376 FAX: 603 893 5396 mis@harwin.com	HARWIN Europe (UK) TEL: 023 9231 4545 FAX: 023 9231 4590 mis@harwin.co.uk	HARWIN Asia TEL: +65 6 779 4909 FAX: +65 6 779 3868 mis@harwin.com.sg
--	--	--

THIS DRAWING AND ANY INFORMATION OR DESCRIPTIVE MATTER SET OUT HEREON ARE CONFIDENTIAL AND COPYRIGHT PROPERTY OF THE HARWIN GROUP AND MUST NOT BE DISCLOSED, LOANED, COPIED OR USED FOR MANUFACTURING, TENDERING OR FOR ANY OTHER PURPOSE WITHOUT THEIR WRITTEN PERMISSION.

TOLERANCES
 X. = ±1mm
 X.X = ±0.25mm
 X.XX = ±0.10mm
 X.XXX = ±0.01mm
 ANGLES = ±5°
 UNLESS STATED

MATERIAL:
 SEE ABOVE

FINISH:
 SEE ABOVE

S/AREA:
 mm²

TITLE:
 1.27mm PITCH DIL SMT VERT.
 LOW-PROFILE SOCKET ASSY

DRAWING NUMBER:
M50-315XX42

SHT 2 OF 2