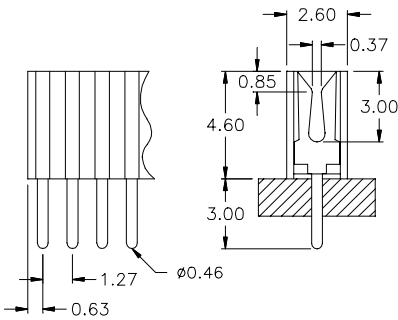
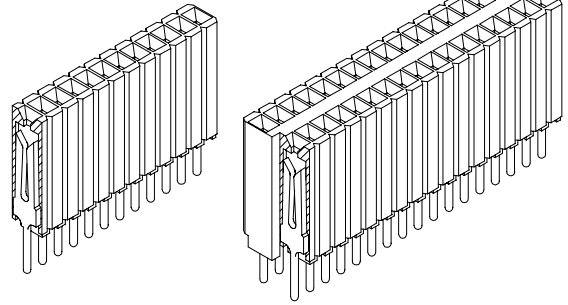
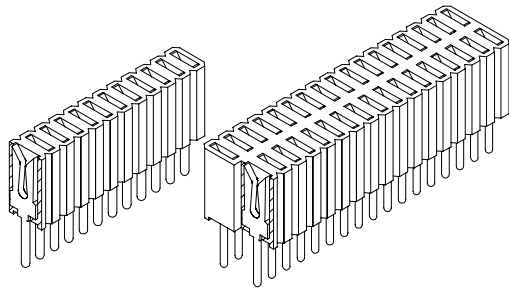


# 1.27mm Female Header

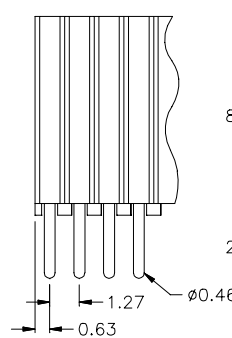
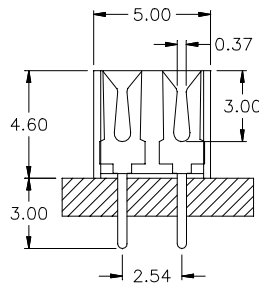
# 1.27mm x 2.54mm Female Header

- single row -

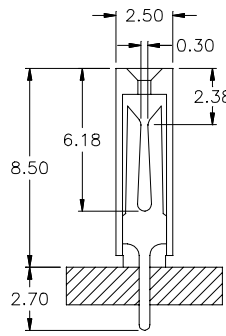
- dual row -



**S 460**



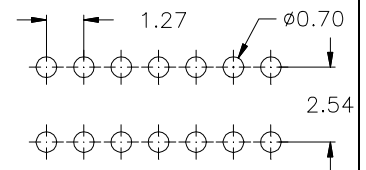
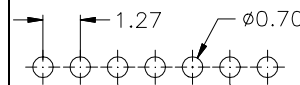
**S 850**



### SPECIFICATIONS

### PCB Hole Layout

Current rating	1 A
Insulator resistance	5000 MΩ min.
Contact resistance	20 mΩ max.
Dielectric withstanding voltage	500 V AC
Operating temperature	- 40°C to +105°C
Contact material	Phosphor Bronze
Insulator material	Nylon-6T, UL 94 V-0



### APPLICATION AND FEATURES

- Standard & low profile types
- Hi-rel fork contact design
- Mates with 0.46mm square or round Pin Header

### How to order

**BL x - xxx - S xxx - 11 /1**

Rows	Nbr of contacts	Connector style (height above board)	Plating
<b>1</b> = single row <b>2</b> = dual row	<u>connector style 460</u> single row = <b>003</b> to <b>040</b> dual row = <b>006</b> to <b>100</b> <u>connector style 850</u> single row = <b>003</b> to <b>036</b> dual row = <b>006</b> to <b>100</b>	<b>460</b> = 4.60mm  <b>850</b> = 8.50mm	<b>11</b> = gold  Others on request