



2002-06-03

PRODUKTINFORMATION

Vi reserverar oss mot fel samt förbehåller oss rätten till ändringar utan föregående meddelande

ELFA artikelnr

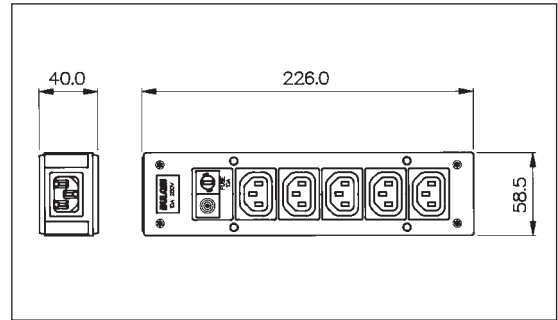
43-222-10	Eluttagslist m.kabel	PXD306/050/01/1
43-226-08	Eluttagslist 5-p panelmont	PXD100/050/01/1
43-226-16	Eluttagslist IEC 5-p	PXD301/050/01/1
43-226-24	Eluttagslist 5-p m filter	PXD301/550/01/1

IEC Rectangular Distribution Units



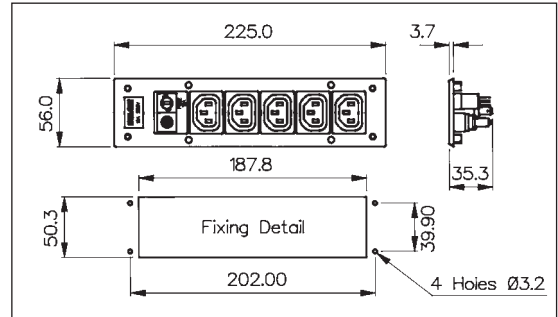
PXD301/050/01/1

- IEC Distribution Box
- Five Shuttered Outlets
- 5 x 20mm Fuseholder
- Neon Light
- With One Inlet
- 10A, 250V a.c.



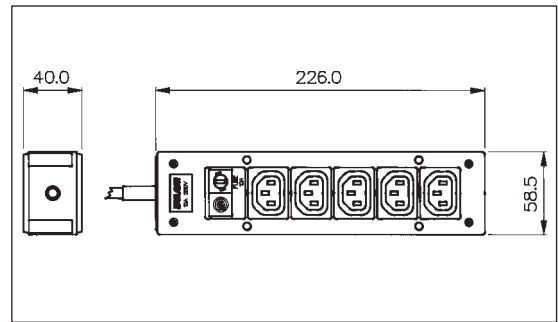
PXD100/050/01/1

- IEC Panel Mount Distribution Unit
- Five Shuttered Outlets
- 5 x 20mm Fuseholder
- Neon Light
- Screw Fit to Panel
- 10A, 250V a.c.



PXD303/050/01/1
PXD306/050/01/1

- IEC Distribution Box
- Five Shuttered Outlets
- 5 x 20mm Fuseholder
- Neon Light
- 2 Metre Cable with BS1363 Plug
- 10A, 250V a.c.



Specification

Mouldings:	Thermoplastic
Contacts:	Outlets: Brass, Tin Plated Inlets: Brass, Nickel Plated
Voltage Rating:	250V a.c. 50/60Hz
Current Rating:	10A
Proof Voltage:	2kV
Temp. Range:	-5°C to +60°C

Filter

Max. Earth Leakage Current:	<0.35mA (at 250V, 50Hz)
Capacitor:	2 x 2.2nF (Y), 1 x 15nF (X)
Inductance:	2 x 0.35mH
Fuse:	5 x 20mm, 10A (ceramic HRC type, IEC 127)

List No.	Inlet	Outlet	Neon Indicator	Fuse	Approvals
PXD100/050/01/1 (panel)		5 Shuttered	1	1	Ⓢ
PXD301/050/01/1 (box)	1	5 Shuttered	1	1	Ⓢ
PXD301/550/01/1 (box)	1	5 Shuttered Filtered	1	1	Ⓢ
PXD303/050/01/1 (box)	2m cable with BS 1363 plug	5 Shuttered	1	1	
PXD303/550/01/1 (box)	2m cable with BS 1363 plug	5 Shuttered Filtered	1	1	
PXD306/050/01/1 (box)	2m cable with CEE7 Sheet VII plug	5 Shuttered	1	1	Ⓢ

Other versions available on request.