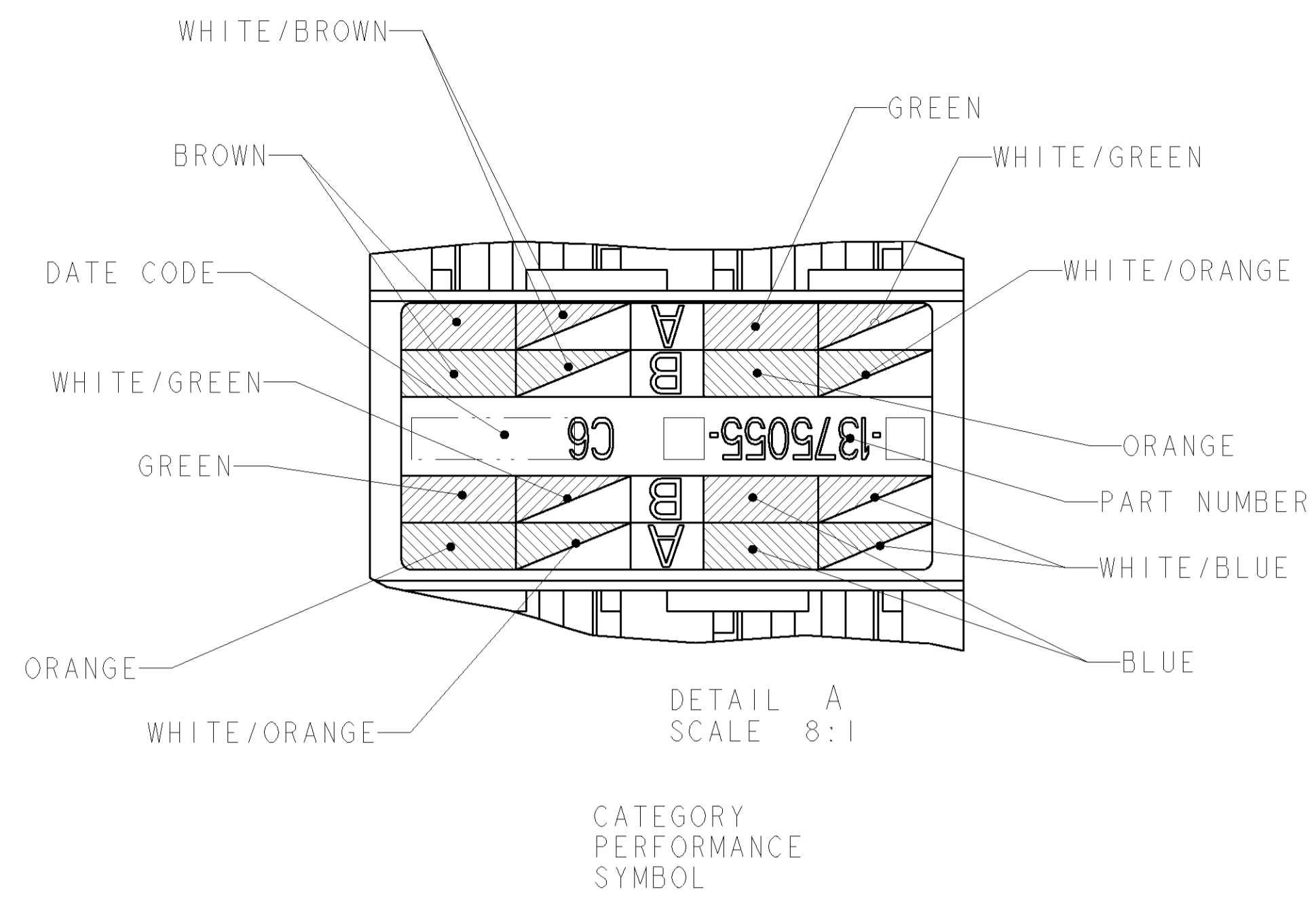
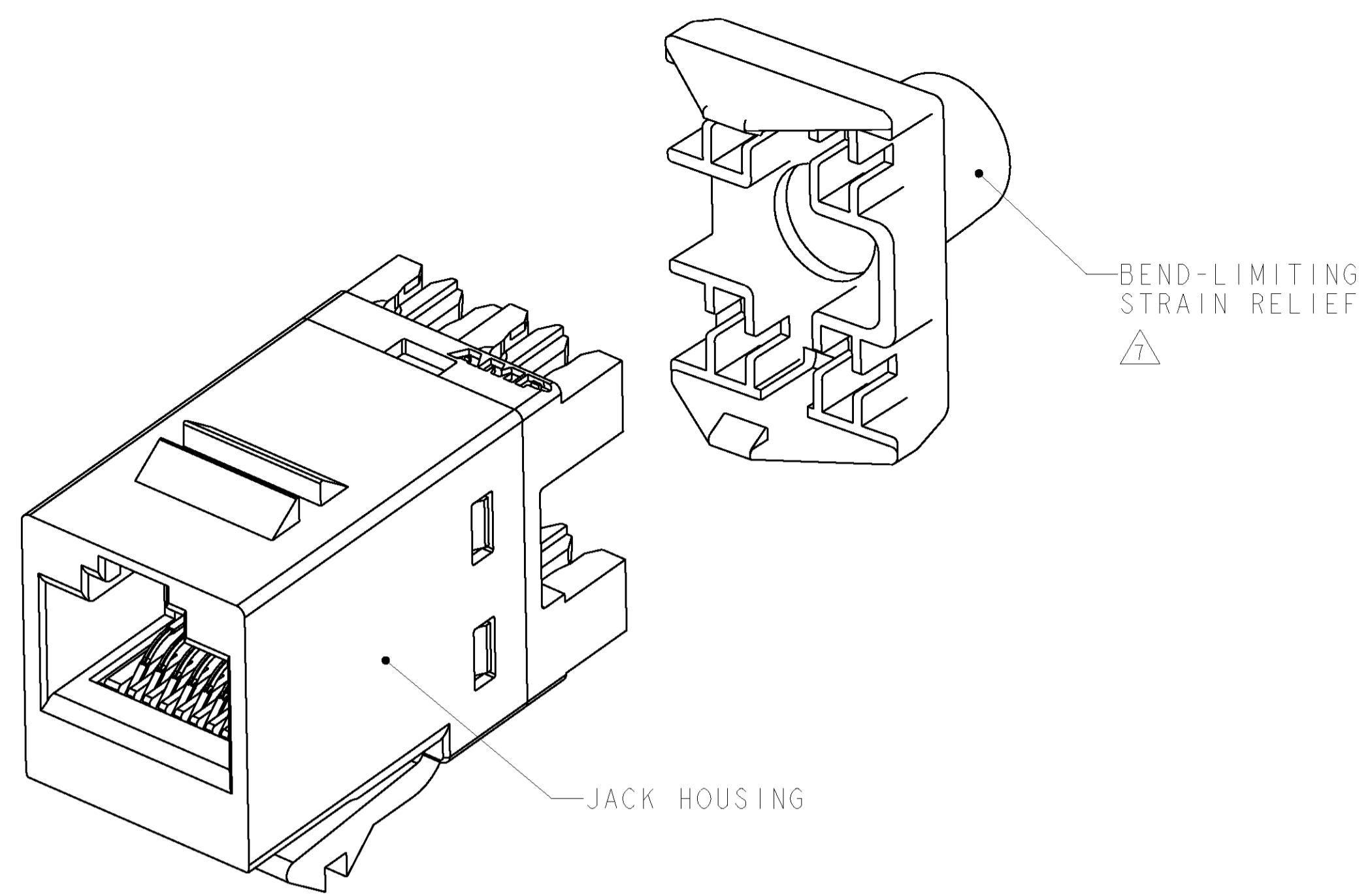
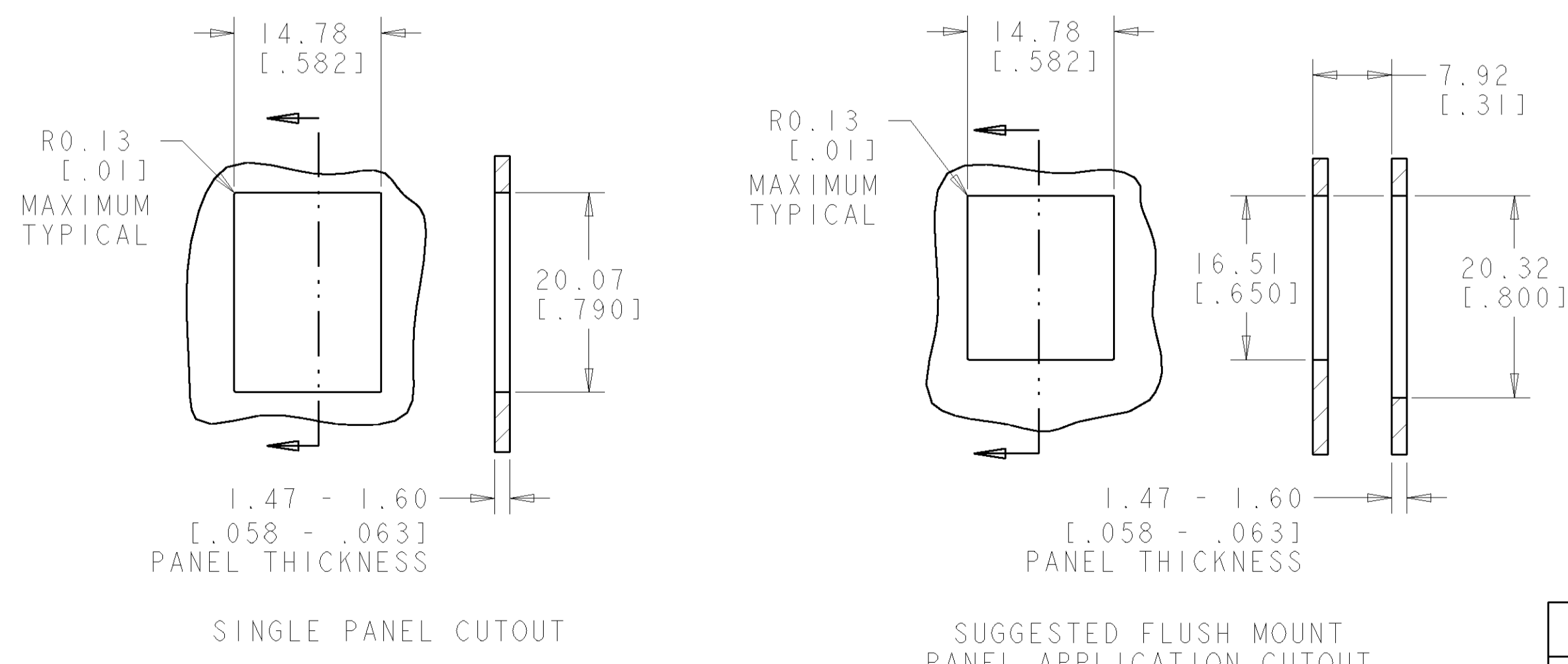
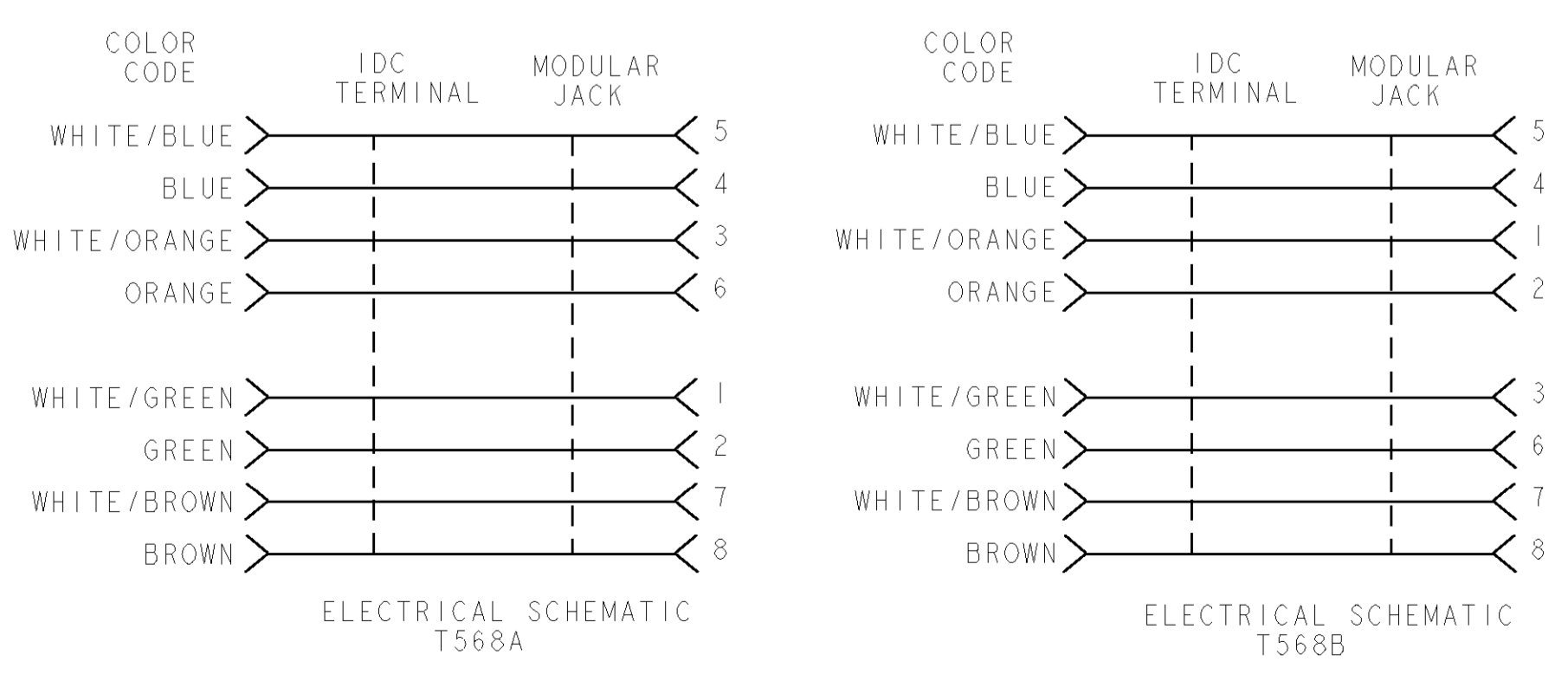
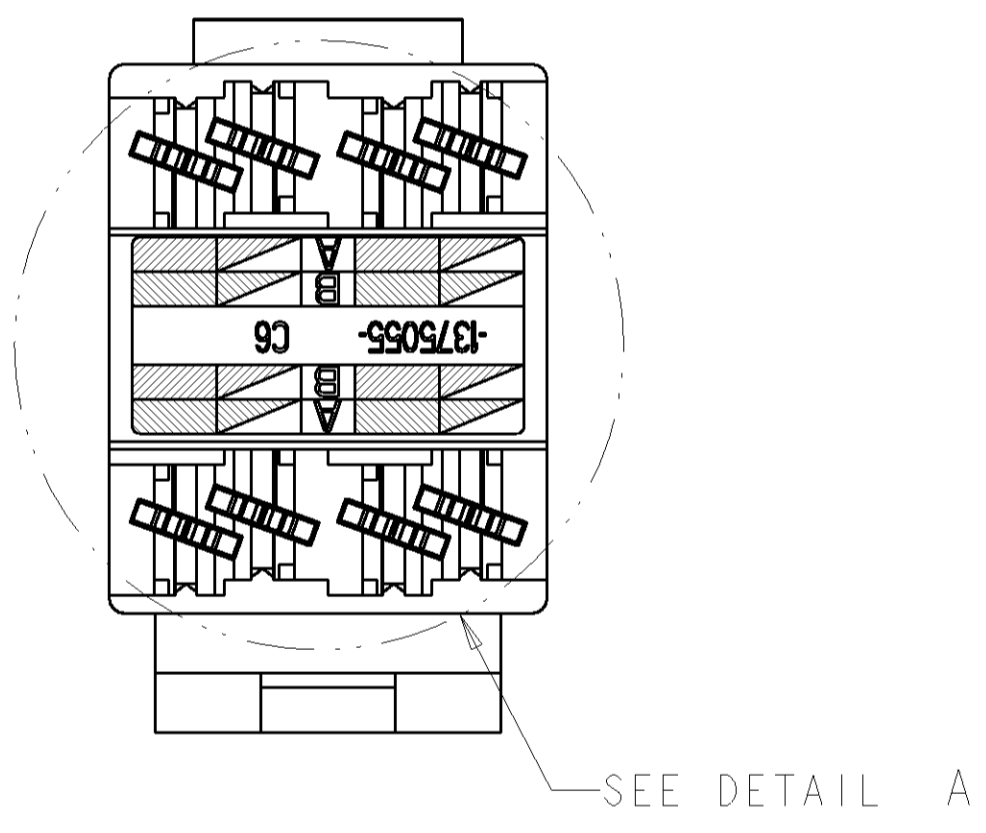
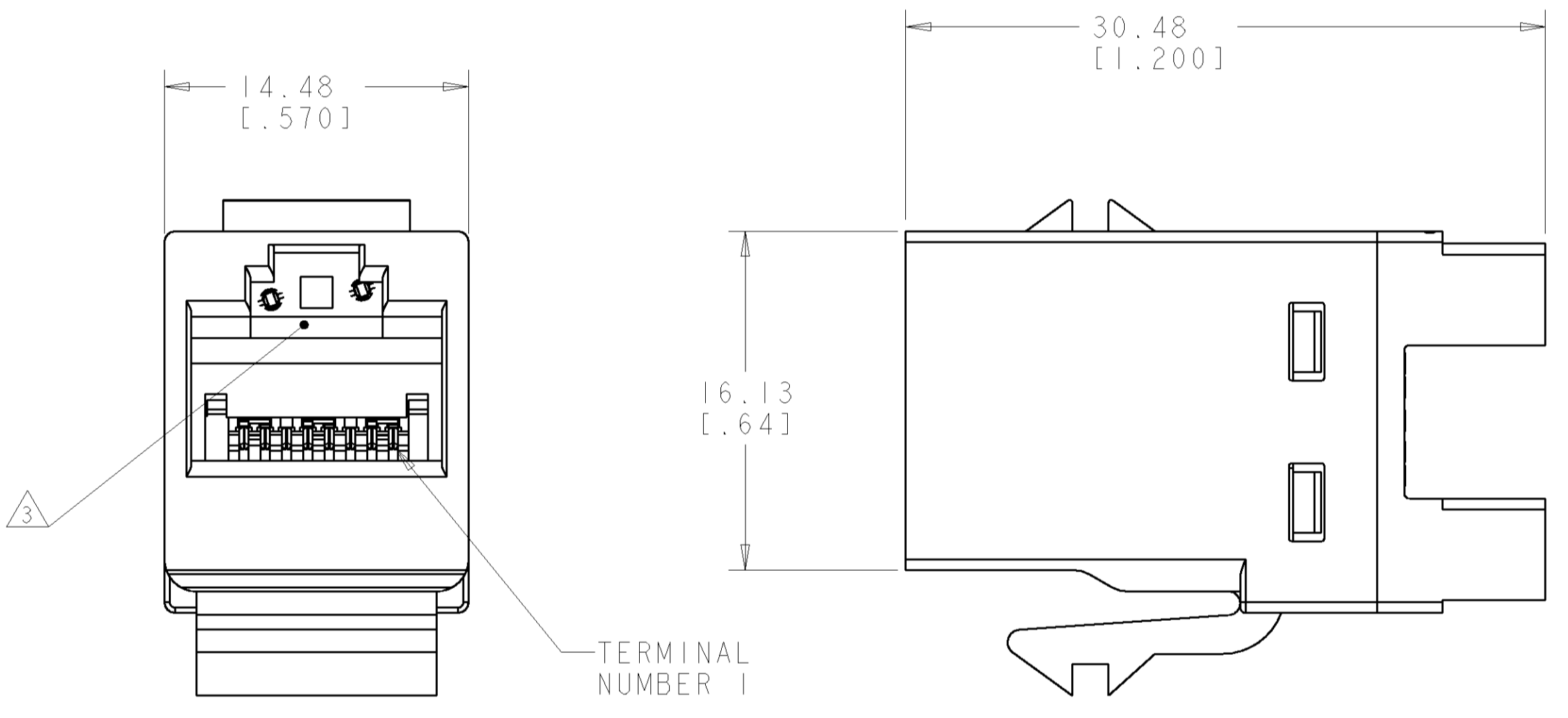


LOC	DIST	REVISIONS					
HM	00	P	LTR	DESCRIPTION	DATE	BY	APPD
		A		RLSD: EC 0B40-0049-01	13MAR2001	LS	BT
		B		REV: EC 0B40-0118-01	31MAY01	LH	GB
		C		REV: EC 0B04-0220-01	08OCT01	TLP	CD
		D		REV: 0B40-0001-02	09JAN02	TP	CD



- 1. MATERIAL: JACK HOUSING - POLYPHENYLENE OXIDE, 94V-0 RATED. 110 BLOCK AND BEND LIMITING STRAIN RELIEF - POLYCARBONATE. ARRAY TRAY - PBT POLYESTER. JACK CONTACTS ARRAY - BERYLLIUM COPPER, PLATED WITH 1.27µm [ .000050 ] MINIMUM THICK GOLD IN LOCALIZED AREA AND 3.81µm [ .000150 ] MINIMUM THICK TIN-LEAD IN SOLDER AREA OVER 1.27µm [ .000050 ] MINIMUM THICK NICKEL UNDERPLATE. IDC TERMINALS - PHOSPHOROUS BRONZE, PLATED WITH 3.81µm [ .000150 ] MINIMUM THICK BRIGHT TIN-LEAD OVER 1.27µm [ .000050 ] MINIMUM THICK NICKEL UNDERPLATE.
- 2. SL 110 JACK WILL TERMINATE 22-24 AWG SOLID CONDUCTORS, 1.27[.050] MAXIMUM INSULATION DIAMETER.
- 3. CAVITY CONFORMS TO FCC RULES AND REGULATIONS) PART 68 SUBPART F REQUIREMENTS.
- 4. MOUNTING PANEL THICKNESS 1.47 - 1.60 [ .058 - .063 ].
- 5. THESE TWO SUGGESTED CUTOUT OPENINGS ARE USED IN TANDEM WITH DUAL FRONT AND BACK CUTOUTS.
- 6. ONE MODULAR JACK ASSEMBLY PER POLYBAG.
- 7. USE IS OPTIONAL.
- 8. TWENTY FIVE MODULAR JACKS PER POLYBAG.



PACKAGE	HOUSING COLOR	PART NUMBER
8	ELECTRIC IVORY	3-1375055-1
	VIOLET	3-1375055-0
	GREEN	2-1375055-9
	YELLOW	2-1375055-8
	RED	2-1375055-7
	BLUE	2-1375055-6
	ORANGE	2-1375055-5
	NEMA GRAY	2-1375055-4
	WHITE	2-1375055-3
	BLACK	2-1375055-2
	LIGHT ALMOND	2-1375055-1
	ELECTRIC IVORY	1-1375055-1
	VIOLET	1-1375055-0
	GREEN	1375055-9
	YELLOW	1375055-8
	RED	1375055-7
	BLUE	1375055-6
	ORANGE	1375055-5
	NEMA GRAY	1375055-4
	WHITE	1375055-3
	BLACK	1375055-2
	LIGHT ALMOND	1375055-1

DIMENSIONS: MM [Inches] TOLERANCES UNLESS OTHERWISE SPECIFIED: 0 PLC ± 1 PLC ± 2 PLC ± 3 PLC ± 4 PLC ± ANGLES ±		DWN T. PITTS 18OCT2001 ENR L. SMITH 13MAR2001 APPD B. TRIPPE 13MAR2001	Tyco Electronics Harrisburg, PA 17105-3608
MATERIAL: - FINISH: -		NAME: ASSEMBLY, SL 110 JACK, CAT 6 PRODUCT SPEC: - APPLICATION SPEC: -	SIZE: A1 CAGE CODE: 00779 DRAWING NO: C=1375055
CUSTOMER DRAWING		WEIGHT: - SCALE: 6:1	SHEET: 1 OF 1 REV: D