

Complete switch disconnectors 25 to 100 A

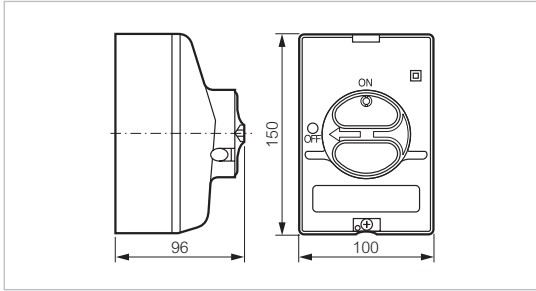
IP 40 as standard, IP 65 on request and
IP66 on enclosure version with integral handle version
Grey presentation

► ENCLOSURES

 Characteristics (p. 306)

INTEGRAL PADLOCKABLE PRESENTATION

Cat. No.



Safety switch to disconnect and isolate poles.
IP 20 “finger safe”
With clutch drive and door interlock
Double break type load switching
Grey padlockable handle
Actual position (ON or OFF) clearly visible
Conform to standards:
IEC EN 60947-3

IP 66 - IK 7

25 A
3P

174061

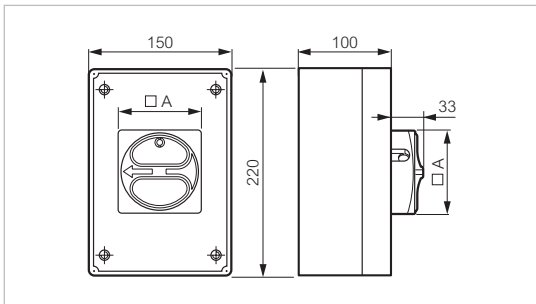
32 A
3P

174161



174061

PADLOCKABLE PRESENTATION



IP 40 (1)

50 A
3P

174261

63 A
3P

174361

80 A
3P

174461

100 A
3P

174561

(1) IP 65 with seal ref. 172267 (50 to 63 A)
172277 (80 to 100 A)



174261

50 and 63 A dimensions

A: □ 66

80 and 100 A dimensions

A: □ 86

Technical characteristics

► GENERAL

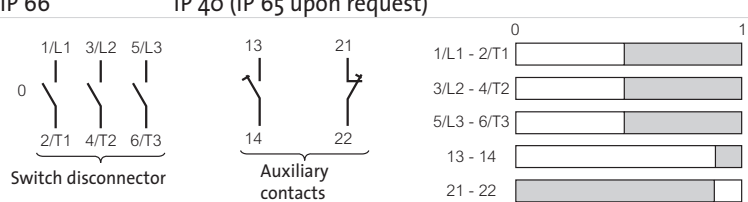
Characteristics	20 A	25 A	32 A	50 A	63 A	80 A	100 A
► Rated insulation voltage U_i (V)	690	690	690	690	690	690	690
► Conventional free air thermal current I_{th}							
Uninterrupted rated current I_u (A)	20	25	32	50	63	80	100
► Conventional enclosed thermal current I_{the} (A)	16	20	25	40	50	63	80
► Rated impulse withstand voltage (overvoltage category III - pollution degree 3) U_{imp} (kV)	4	6	6	6	6	6	6
► Rated operating current I_e (A) AC - 21 A/22 A Conform to IEC 60947-3	16	25	32	50	63	80	100
► Rated operating power (kW)							
AC 23 A 3 x 230 V	4	5.5	5.5	15	15	18.5	22
3 x 400 V	7.5	7.5	11	18.5	22	30	37
3 x 500 V	5.5	7.5	11	22	30	37	45
3 x 690 V	4	7.5	11	18.5	22	22	30
AC 3 3 x 230 V	3	4	4	7.5	11	15	18.5
3 x 400 V	4	5.5	7.5	15	18.5	22	30
3 x 500 V	5.5	5.5	7.5	15	22	30	37
3 x 690 V	3	5.5	7.5	15	18.5	18.5	22
► Make - break characteristics (A_{eff}/400 V)							
Rated make capacity	-	710	710	1270	1270	1970	1970
Rated break capacity	-	330	330	800	800	800	800
► Short circuit characteristics							
Rated short term withstand current I_{cw} (A _{eff} /400 V/1 s)	250	350	430	500	760	1100	1500
Rated short circuit make capacity I_{cm} (kA peak/400 V)	-	1	1	1.8	1.8	2.8	2.8
Short circuit current (kA I_{eff} /400 V)	6	10	10	10	10	10	10
with fuse gI/gG (A)	16	25	32	50	63	80	100
► Mechanical life AC 20 (million)	1	0.1	0.1	0.04	0.04	0.04	0.04
► Connections							
Stranded wire + (min/max) cap (mm ²)	0.75/2.5	0.75/6	0.75/6	1.5/16	1.5/16	2.5/35	2.5/35
Solid wire (mm ²)	4	10	10	25	25	50	50
► Storage temperature	-30°C TO +70 °C						
► Operating temperature	- 30°C TO +70 °C						
► Protection rating	rear of panel: IPxxB front of panel IP 40 in standard version (IP 65 on request)						
► Conformity to standards	IEC 60697-3 -EN 60 947-3, UL508, CSA22.2						
► Approvals	UL - cUL (USA - Canada) suitable as motor disconnect. CB certification						
► Climatic resistance	Tropical atmosphere according to IEC 60068-2-30 Cyclic damp heat						

Technical characteristics

▶ AUXILIARY CONTACTS

Characteristics	20 A	25 A	32 A	50 A	63 A	80 A	100 A
▶ Rated insulation voltage U_i (V)	400	400	400	400	400	400	400
▶ Conventional free air thermal current I_{th}							
Continuous rated current I_u (A)	20	10	10	10	10	10	10
▶ Rated operating current I_e (A)							
AC 15							
230 V	6	6	6	6	6	6	6
400 V	-	4	4	4	4	4	4
▶ PROTECTION AGAINST SHORT CIRCUIT BY FUSE gG (A)	16	10	10	10	10	10	10
▶ Max. connection stranded wire (mm ²)	2 x 2.5	2 x 2.5	2 x 2.5	2 x 2.5	2 x 2.5	2 x 2.5	2 x 2.5

▶ ENCLOSURES

Characteristics	150x100x96	220x150x100	220x150x100	220x150x100	220x150x100	300x200x100
▶ Rating	20, 25 and 32 A 3P to 4P +NC/NO 20 A - 6P	25 and 32 A 6P and 6P +NC/NO	50 and 63 A 3P to 4P +NC/NO	50 and 63 A 6P and 6P +NC/NO	80 and 100 A 3P and 3P +NC/NO	80 et 100 A 4P to 6P +NC/NO
▶ Cable inputs	2 x 2 Pg 16 OR 2 x 2 M25	2 x 2 Pg 21	2 x 2 Pg 21	2 x 2 Pg 29	2 x 2 Pg 29	2 x 2 Pg 21 and 2 x 2 Pg 29
▶ Ø knockouts (mm)	Pg 16: 22.5 ISO M25: 25	28.5	28.5	37.5	37.5	37.5 and 28.5
▶ No. of knockouts (top and bottom)	2	2	2	2	2	4
▶ Panel mount	by 2 screws	by 4 screws				
▶ Base/cover assembly	by 1 screws self-tapping stainless steel	by 4 screws self-tapping stainless steel				by 6 screws self-tapping stainless steel
▶ Switch/base assembly	on 35 mm DIN rail (this rail is notched for positioning the switch)					
▶ Handles mounting	screwing on shaft pre-pierced cover					
▶ Insulation	Class II installed (provided that the correct insulation plugs are used with the enclosure)					
▶ Impact withstand	IK07					
▶ Flameproof	650°C					
▶ Protection rating	IP 66	IP 40 (IP 65 upon request)				
▶ Contact operating diagram						
▶ Switch padlocking	In general: up to 3 padlocks \varnothing 4 to 8 mm Switch with 1 auxiliary contact NC/NO: up to 3 padlocks \varnothing 6 to 8 mm Modular presentation: 1 padlock \varnothing 6 to 8 mm					