

VECO VANSONIC ENTERPRISE CO., LTD.

8F., No. 7, Lane 16, Sec. 2, Szechwan Road, Panchiao, Taipei Hsien, TAIWAN.

TEL: +886-2-29626335

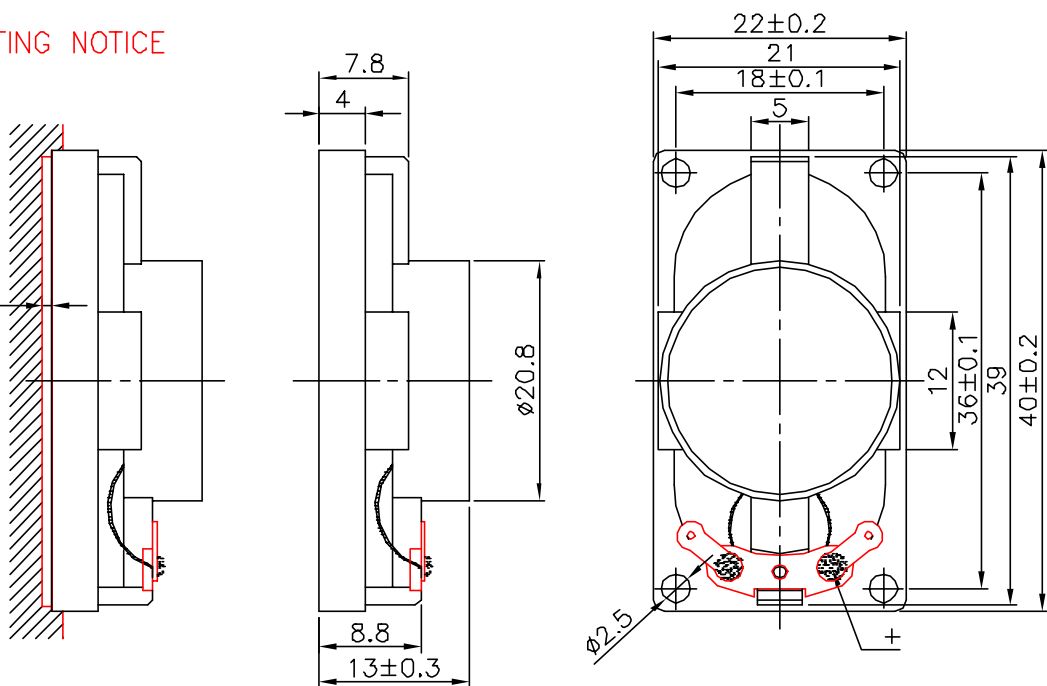
TEL: +886-2-29625220

E-MAIL: vansonic@ms4.hinet.net

1.	MODEL:	40KLS08			
2.	Dimension	Outer Diameter 40X22 mm.		Baffle Opening 38.8X20.8 mm.	
		Height	Refer to Drawing .	Weight	10.6 Grams.
3.	Magnet	Materials	Rare Earth	Size	∅ 18X9.6 X 2.5 mm.
4.	Nominal Impedance	8	± 15 %	At	1200 Hz.
5.	Power Rating	Normal	2000 mW.	Maximum	4000 mW.
6.	Lowest Resonant Frequency	370	± 20 %		Hz.
7.	Output Sound Pressure Level (S.P.L.)	87 ± 3 db / 1.0 Watt . 0.5 Meter.			
		Average at	600, 800, 1000, 1200		Hz.
8.	Frequency Range	180 ~ 12500	Hz.	Average SPL - 10 db.	
9.	Distortion	5 %	Maximum At	1000 Hz.	2000 mW.
10.	Abnormal Sound Test	Must Be Normal Test By		4.0 Volts.	Sine Wave.
11.	Load Test	White Noise With Weighted Filter		4.0 Volts.(RMS)	24 Hrs.
12.	Polarity	Diaphragm shall move Forward when Apply a Positive DC.			
		Current to the "+" or "Marked" Terminal.			

MOUNTING NOTICE

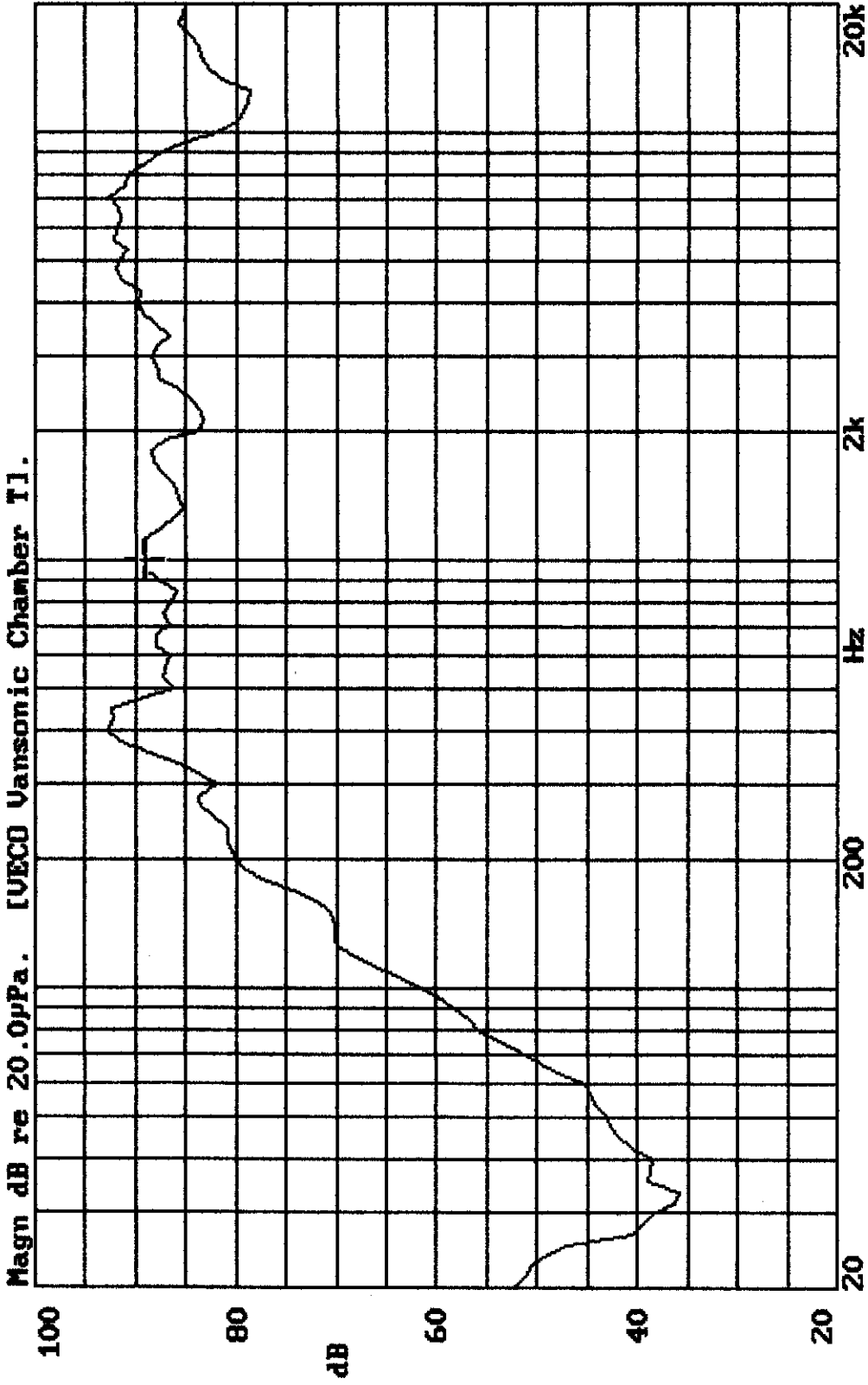
AT LEAST
1.0mm
FOR
DIAPHRAM
MOVING



Unit : mm

Housing Material : ABS+10%GF

40KLS08 VOL:4.0V(2.0W) DIS:0.5M VANSONIC
X:1.0000kHz *Y:89.06dB ZA:Live Curve SSR Fund.



26-JUL-2002 09:32:47

Mode: SPEAKER

