

Voltage selector switch, 2 stages, serie-parallel, panel mounting



### Description

- Voltage Selector , 2 stages
- Series-parallel connections
- Solder terminals

### Standards

- IEC 61058-2-5
- UL 508
- CSA C22.2 no. 14

### References

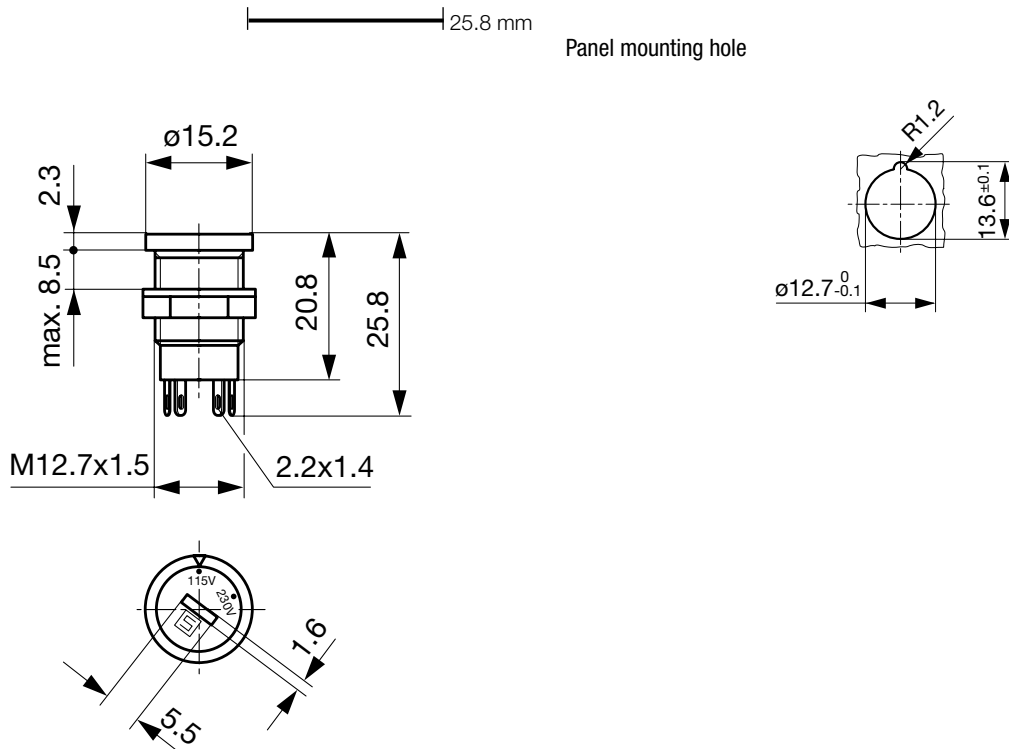
Alternative: version for PCB mounting [SWA2 \(Print\)](#)

### Technical Data

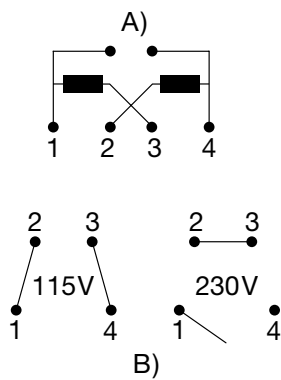
Ratings	IEC: 6.3 A / 250 VAC; 50 Hz
	UL: 6.3 A / 250 VAC; 60 Hz
	CSA: 6.3 A / 250 VAC; 60 Hz
Mounting	Panel Mount from front side
Fastening	Screw-on mounting
Terminal	Solder
Number of Stages	2
Lifetime	300 operating cycles (without load)
Degree of Protection	IP 40
Protection Class	Suitable for appliances with protection class II acc. to IEC 61140
Allowable Operation Temp.	-40 °C to 85 °C
Climatic Category	25/85/21 acc. to IEC 60068-1
Material: Socket	Thermoplastic, black, UL 94V-0
Weight	3.9 g

Solderability	350 °C / 2 sec acc. to IEC 60068-2-20, Test Ta, method 2
Resistance to Soldering Heat	350 °C / 10 sec acc. to IEC 60068-2-20, Test Tb, method 2
Insulation Resistance	> 10'000MΩ (500VDC; 1min)
Contact Resistance	< 10 mΩ at 20 mV
Dielectric Strength	> 2kVAC between L-N
	> 4kVAC between L/N-PE (1min; 50Hz)
Clearance and Creepage Distance	> 3mm
	> 8mm between L/N-PE
Resistance to Vibration	acc. to IEC 60068-2-6, test Fc
Panel Thickness s	max 8.5 mm

## Dimension



## Diagrams



A) Power mains

B) Internal contact arrangement for series-parallel connection

## All Variants

Letterings		Order Number
Stage 1	Stufe 2	
110	220	0033.4501
115	220	0033.4502
120	240	0033.4503
115	230	0033.4504
50 Hz	60 Hz	0033.4508
LO	HI	0033.4513
		0033.4514
0	1	0033.4518
A	B	0033.4521
TEST	RUN	0033.4524

Most Popular.

---

**Letterings**

**Order Number**

**Stage 1**

**Stufe 2**

Availability for all products can be searched real-time:  
<http://www.schurter.com/Stock-Check/Stock-Check-SCHURTER>

---

**Packaging Unit**

100 Pcs

---