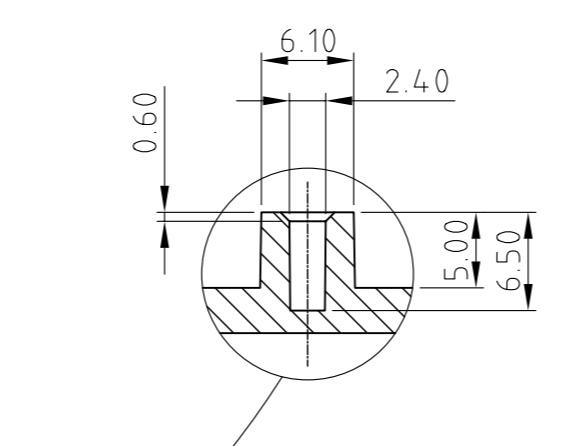
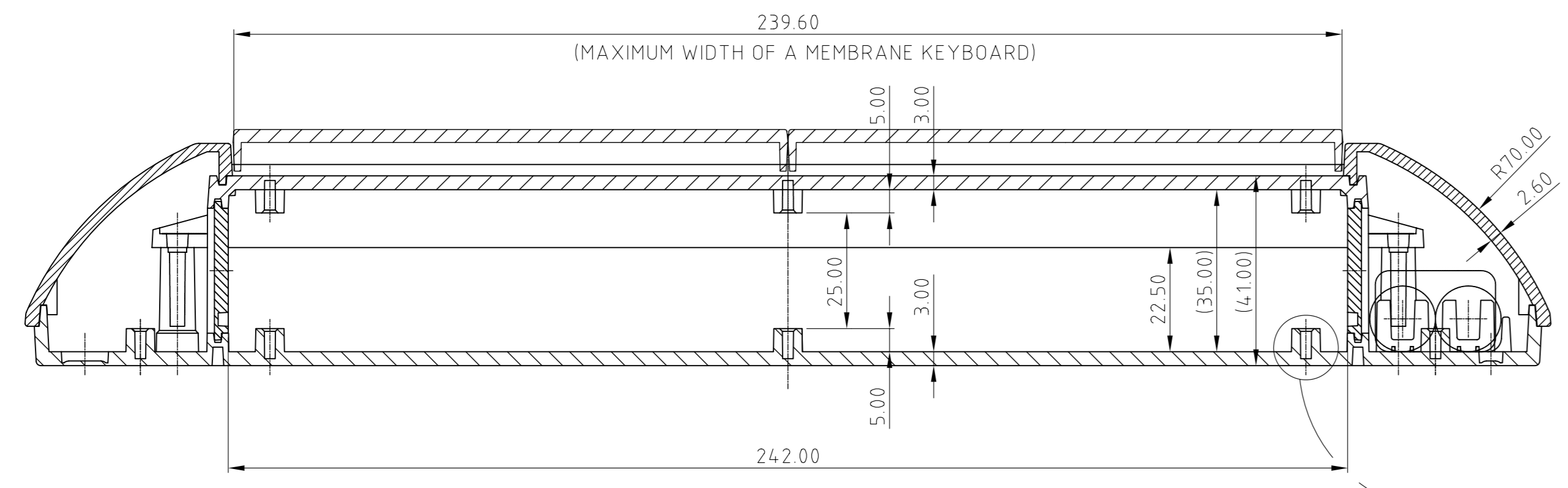
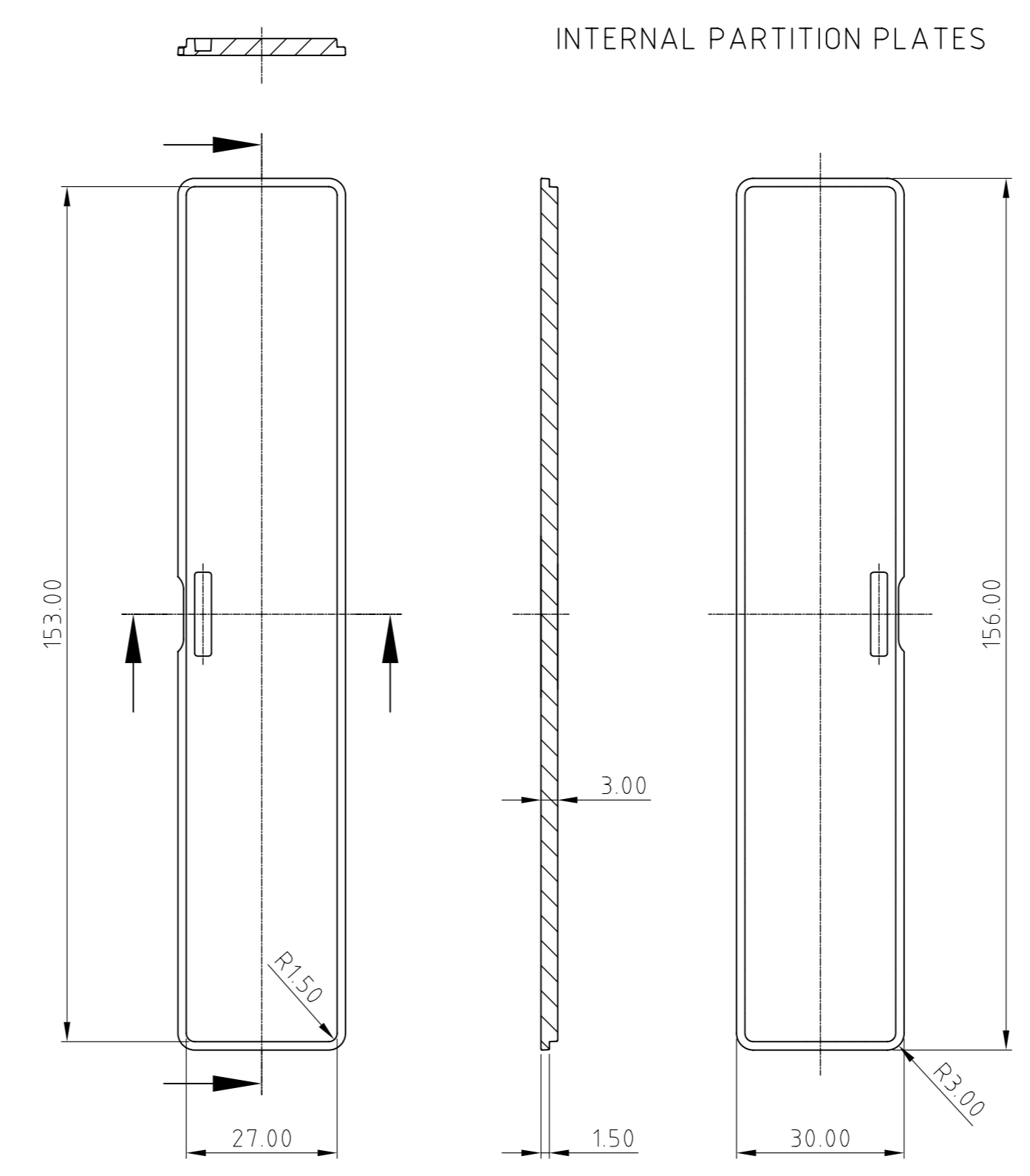


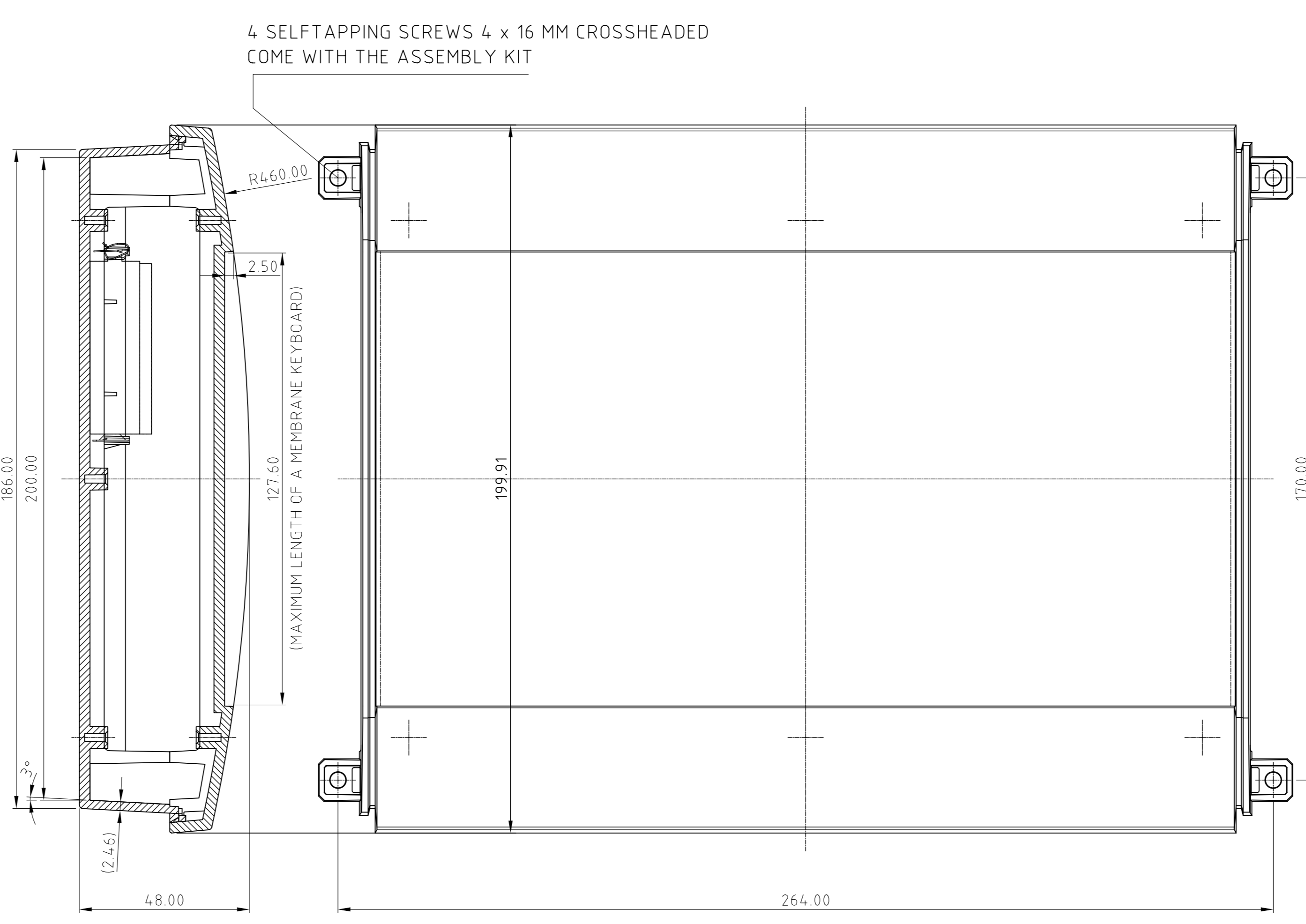
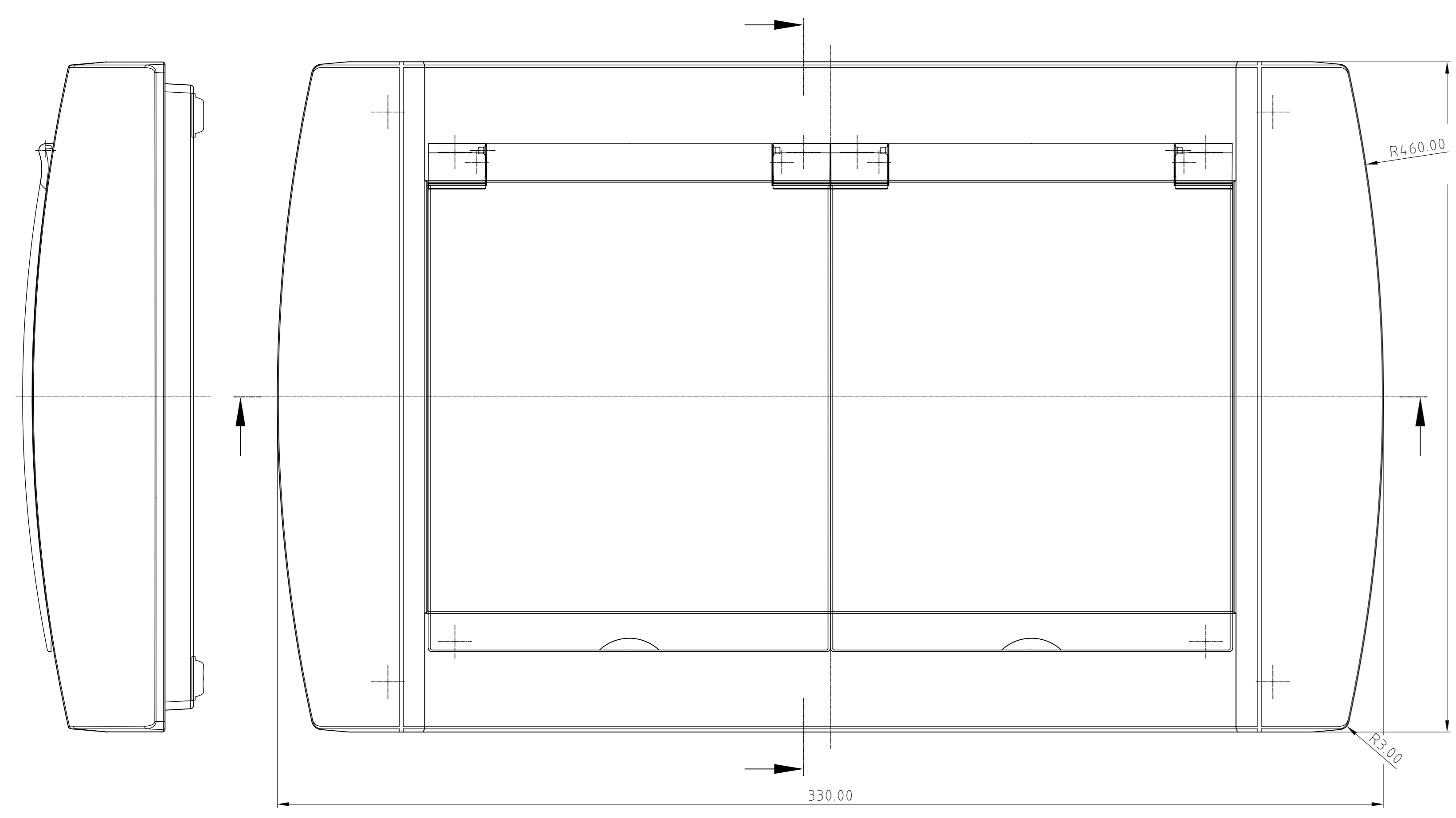
FIXING ELEMENTS FOR THE SNAP MECHANISM



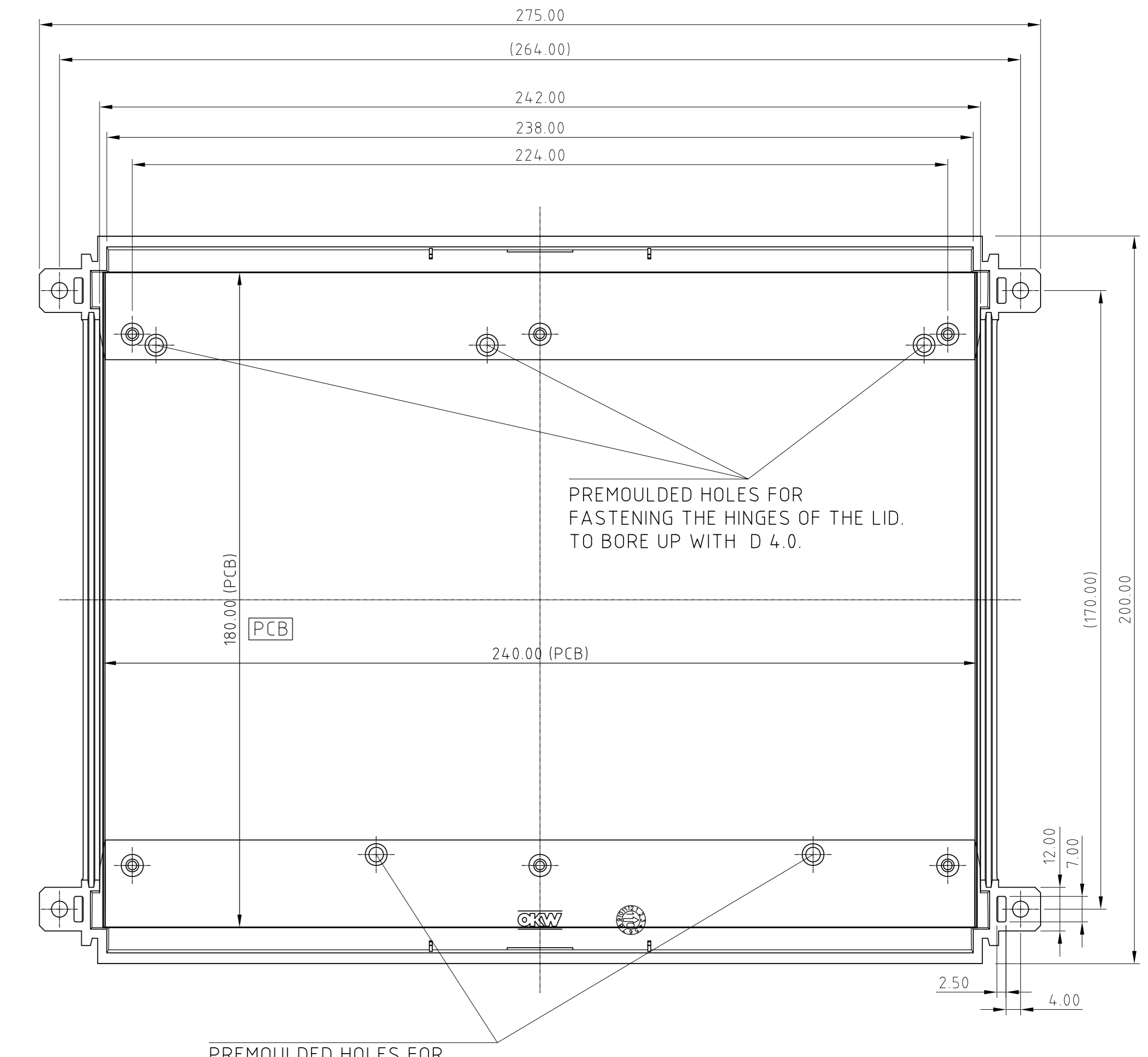
USE SELFTAPPING SCREWS E.G. 3 x 6 MM CROSSHEADED (A 03 06 031)



INTERNAL PARTITION PLATES



4 SELFTAPPING SCREWS 4 x 16 MM CROSSHEADED COME WITH THE ASSEMBLY KIT

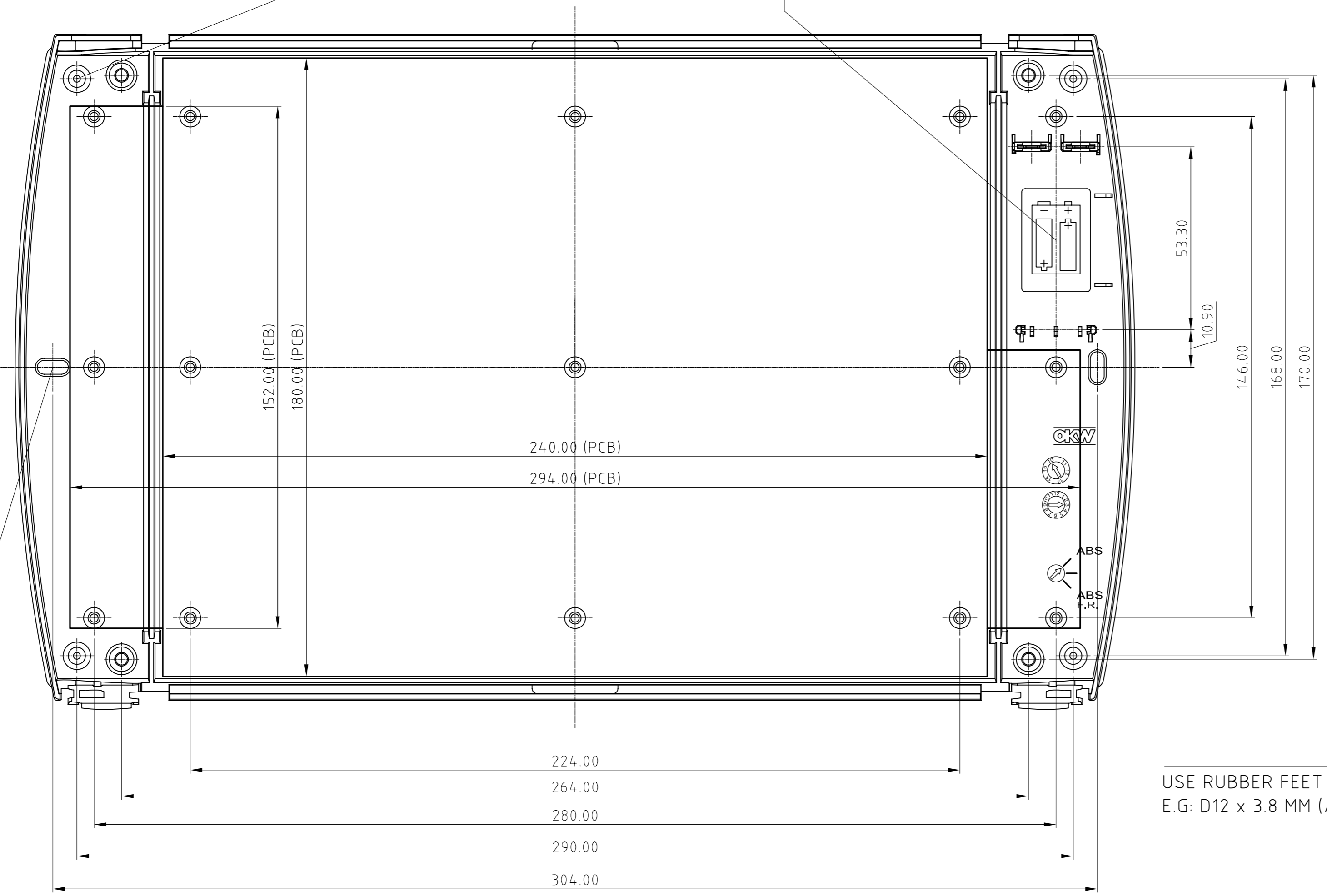


PREMOULDED HOLES FOR FASTENING THE LID. TO BORE UP WITH D 4.0.

PREMOULDED HOLES FOR FIXING THE HINGED LID. TO BORE UP WITH D 4.0. USE BUSH OF BRASS M3 x 4 (AS 03 69 15) AND A SCREW M3 x 8 (AS 05 07 47)

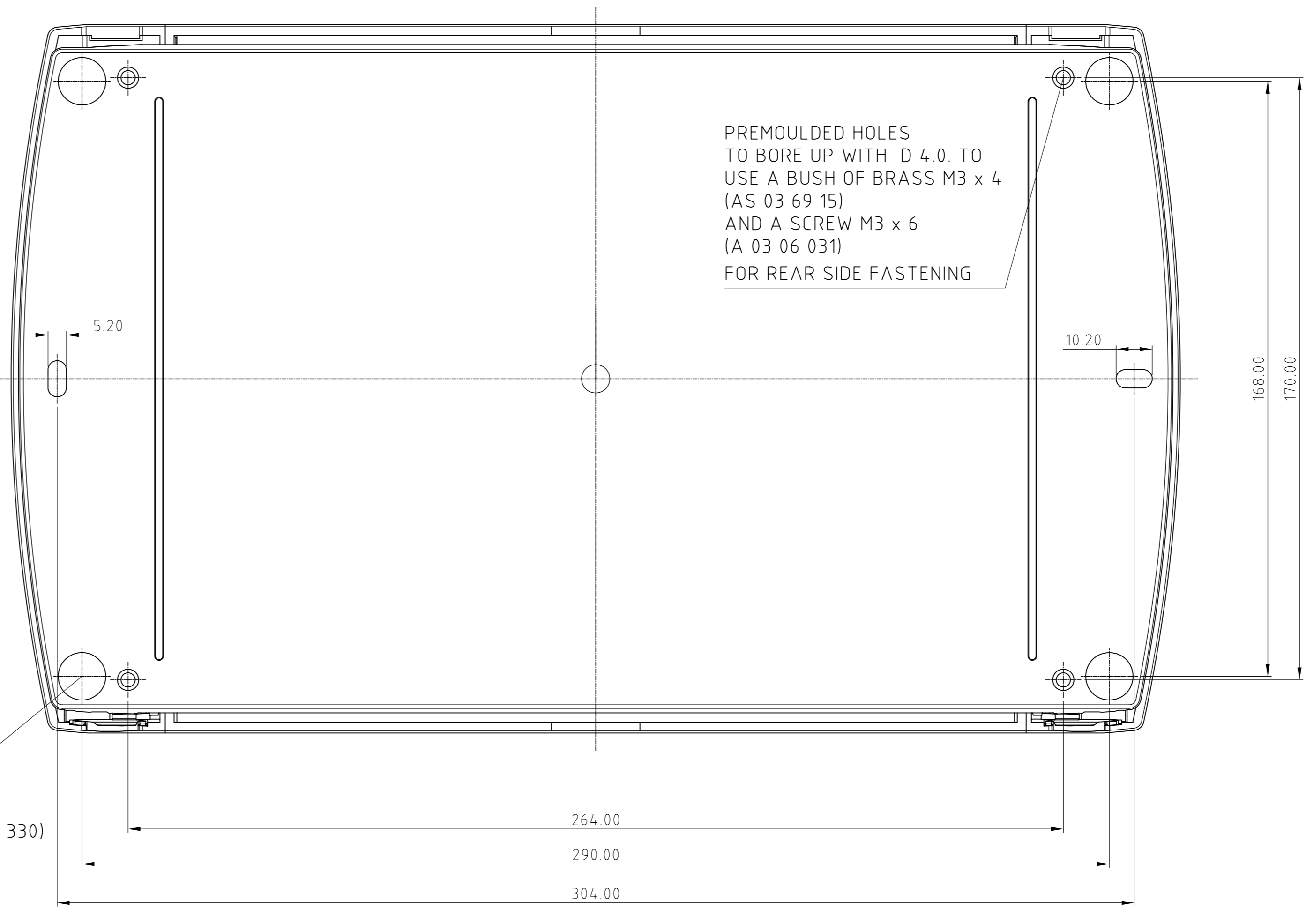
USE COUNTER SUNK SCREWS (E.G. SPAX)

SET OF BATTERY CLIPS FOR TWO 1.5V AA-ROUND-CELLS (A 91 90 002) PLUG IN CONTACT FOR ONE 9V FLAT-BATTERY (A 91 60 003)



USE SCREWS ACC. TO DIN 7981 (E.G. 4.2 or 4.8 x 25 MM)

USE RUBBER FEET E.G. D12 x 3.8 MM (A 92 12 330)



PREMOULDED HOLES TO BORE UP WITH D 4.0. TO USE A BUSH OF BRASS M3 x 4 (AS 03 69 15) AND A SCREW M3 x 6 (A 03 06 031) FOR REAR SIDE FASTENING

Informationskopie wird nicht aktualisiert		Copy for information will not be updated		Zeichnungsart: 0001	Material: 0001	Teilenummer: 0001	Blatt: 0001	Datum: 08.02.10	Projekt: 0001	Zeichnungsart: 0001	Blatt: 0001	
Technische Änderungen vorbehalten. Inhaber und Druckverleger besterhalten. Änderungen vorbehalten. Änderungen vorbehalten. Subject to technical modifications without prior notice. Typographical and other errors do not justify any claim for damages. All dimensions should be verified using an actual moulded part. Sous réserve de modifications techniques. Toute erreur ou faute dimensionnelle ne justifie aucune demande d'indemnisation. Nous prions les clients de vérifier les dimensions des composants avec les boîtiers avant le montage.												
OKW GEHÄUSE SYSTEME										DIATEC L COMPLETE ENCLOSURE A9095**		Blattzahl: 0001/0001