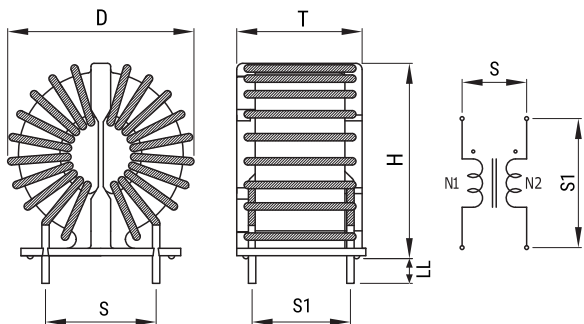


**KEMET Part Number: SC-02-100J**  
(UALSC02100J000)

KEMET, SC-J, AC Line Filters, Common Mode, 0.01 H



| Dimensions |            |
|------------|------------|
| D          | 25mm MAX   |
| T          | 20mm MAX   |
| H          | 27mm MAX   |
| LL         | 5mm +/-2mm |
| S          | 10mm NOM   |

| Packaging Specifications |      |
|--------------------------|------|
| Packaging:               | Tray |
| Packaging Quantity:      | 400  |
| Weight:                  | 18 g |

| General Information |   |
|---------------------|---|
| Series:             | SC-J  |
| Style:              | Through-Hole                                |
| RoHS:               | Yes   |
| Notes:              | Lead Spacing (S/S1) Are For Reference Only. |
| Miscellaneous:      | Temperature Rise Maximum: 55 K              |

| Specifications     |                 |
|--------------------|-----------------|
| Voltage AC:        | 250 VAC         |
| Inductance:        | 10 mH (100 kHz) |
| Current:           | 2 A             |
| Temperature Range: | -25/+120°C      |
| DC Resistance:     | 220 mOhms       |