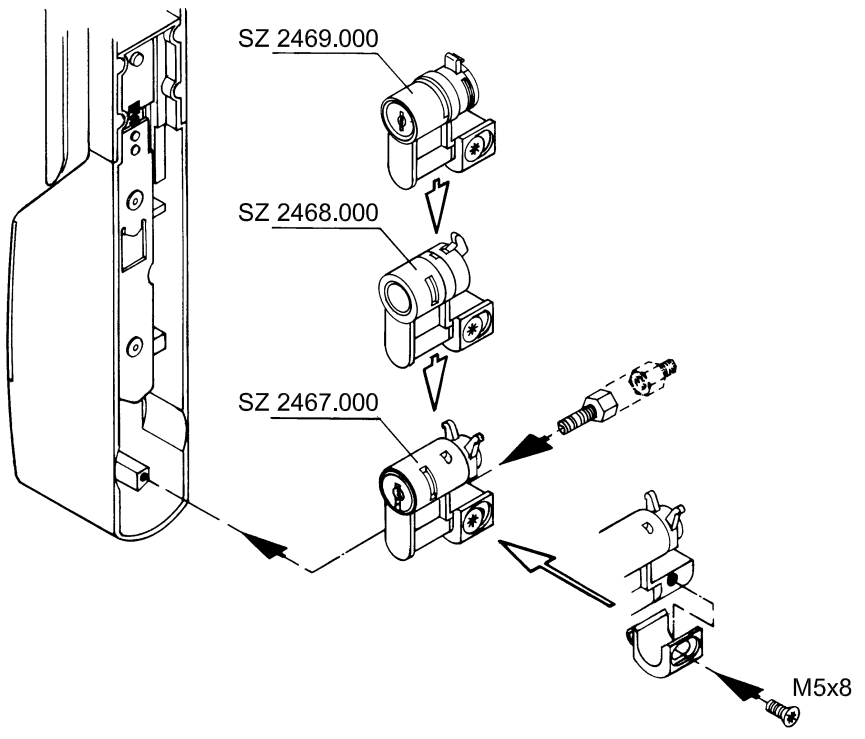
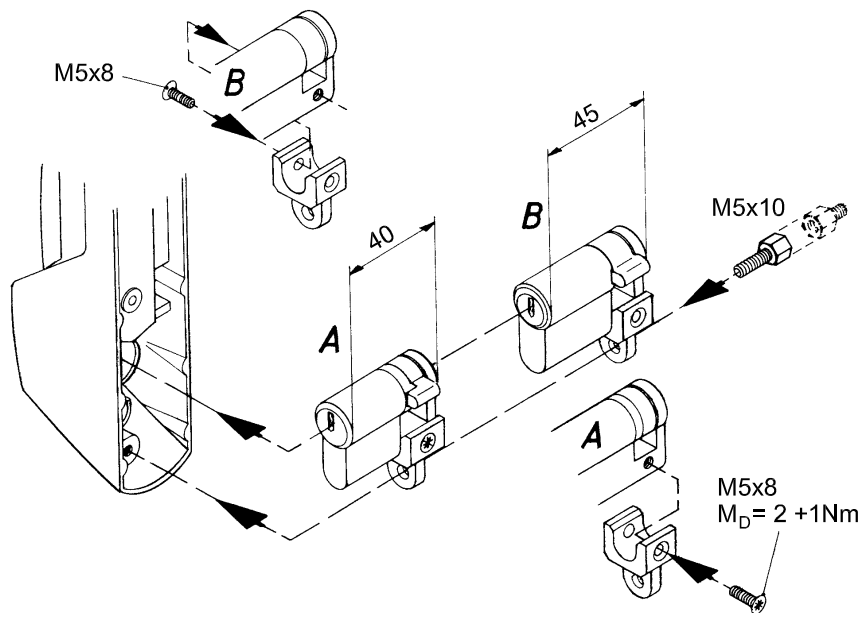
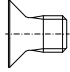
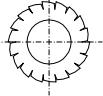
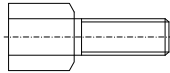
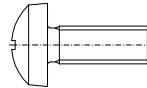
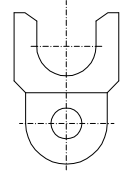
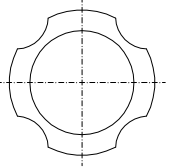
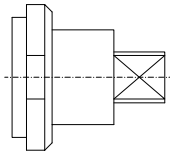



A



SZ
2537.000

Raum für Verpackungsdatum
Area for date of packing
(MMJJTT / MMYDD)

- | | | | | | |
|----|---|------|----|---|-------|
| 1x |  | M5x8 | 2x |  | A5,3 |
| 1x |  | M5 | 2x |  | M5x10 |
| 1x |  | | 1x |  | |
| 1x |  | | 1x |  | M5x25 |

Zchn.-Nr. / No. of dwg. : A3916501SZ
Versandbeutel-Nr. / No. of accessory bag : 381190

Lieferanten-Nr. / No. of supplier :

