

AMMS 10-1 Opto-coupler module IN: 30 VDC - OUT: 48 VDC / 1,2 A

Transistor 1.2 A
4...30 V DC

Image

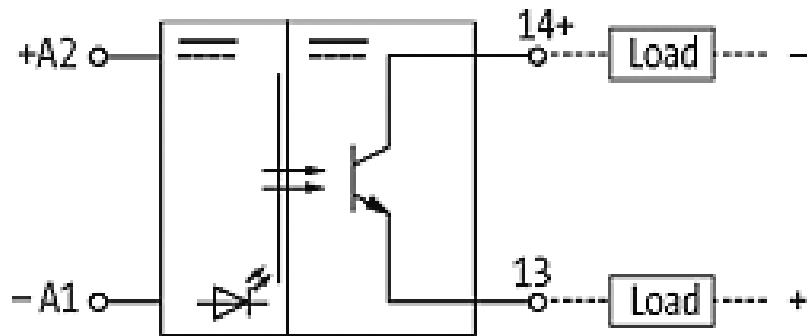
Vicarious picture

Input	
Voltage range ON	4...30 V DC
Voltage range OFF	0...2 V DC
Input current	max. 10 mA
LED display	LED (red)
Output	
Switching voltage	4.5...44 V DC
Switching current per output	1 mA...1.2 A
Saturation voltage (across output)	max. 1.2 V DC
Leakage current (when output is open)	max. 0.3 mA
Switching time ON/OFF	65/65 μ s
Switching frequency	max. 7 kHz (resist.) at max. 0.3 A / max. 10 Hz (ind.)
General data	
Test isolation voltage	3.75 kV
Temperature range	-20...+60 °C
Mounting method	DIN-rail mountable TH35 or G32 (EN 60715)
Housing	Black plastic, flame retardant
Commercial data	
Net weight	27
Weight unit	Gram
Basic unit	pc.
Customs tariff number	85414090
Unit (piece)	1
Minimum order quantity (piece)	1
Switching element	
NO	

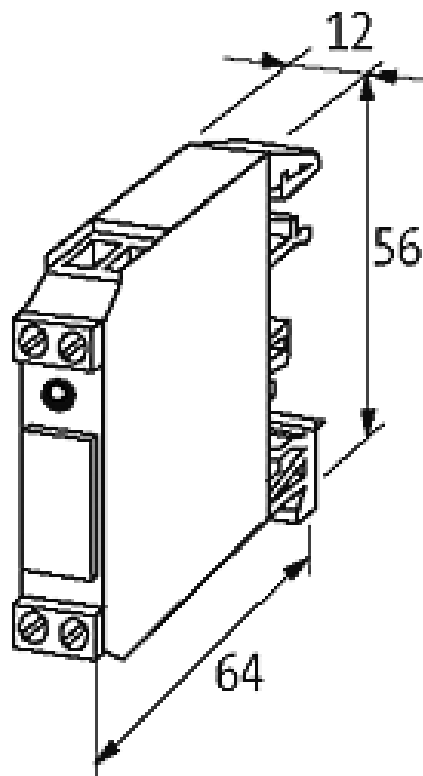
All data on this data sheet was compiled carefully.

Liability regarding correctness, completeness, and actuality is limited to gross negligence. Created: 10/13

Circuit diagram



Dimension drawing



De-rating curve

