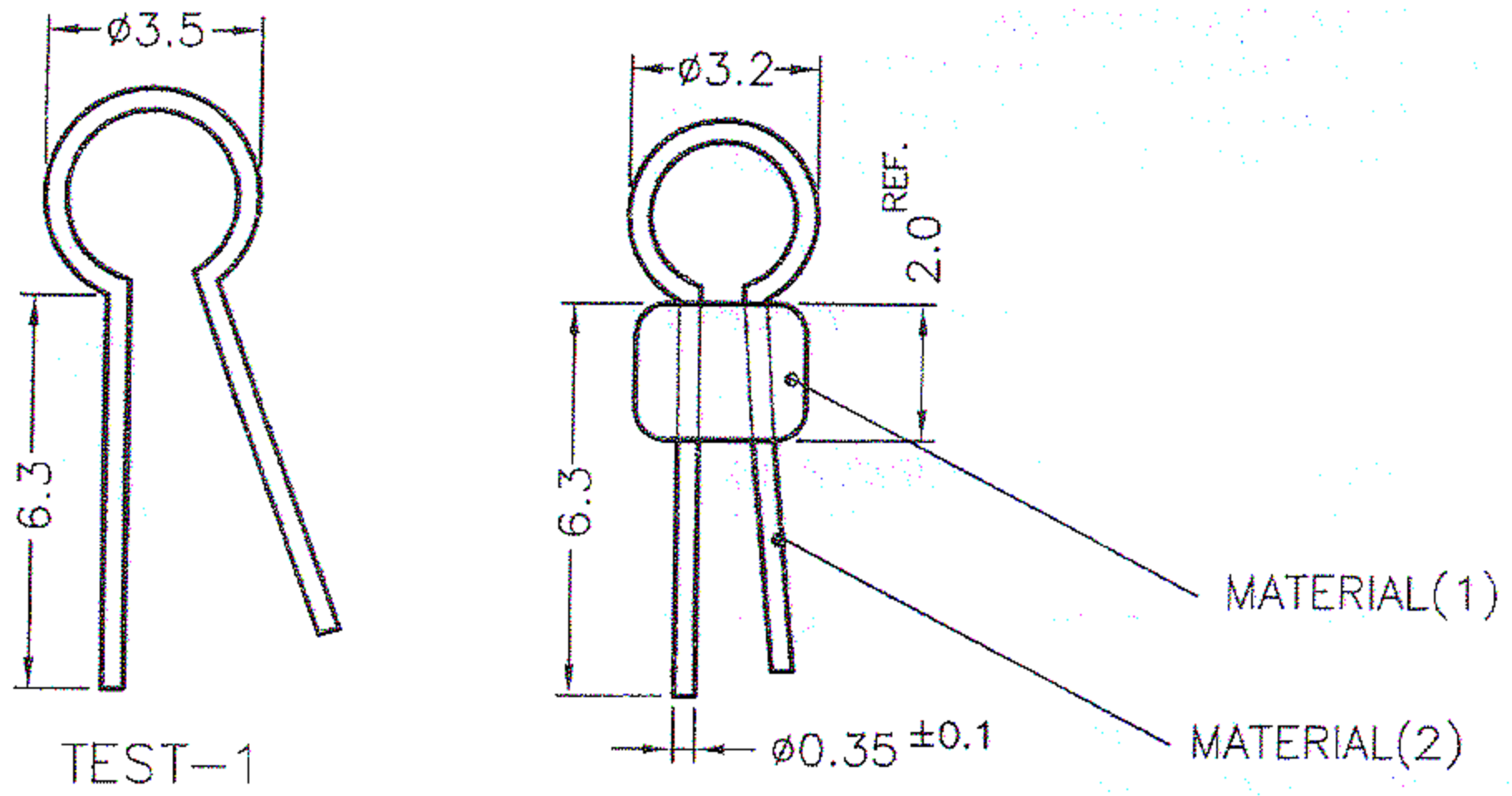


REVISIONS			
REV	DESCRIPTION	DATE	BY



HOLE IN P.C.B $\phi 0.8 \sim \phi 1.0$

PART NO	COLOR
TEST-1	
TEST-1(R)	RED
TEST-1(GR)	GREEN
TEST-1(BU)	BLUE
TEST-1(BK)	BLACK
TEST-1(Y)	YELLOW
TEST-1(W)	WHITE

PART NUMBER SEE ABOVE				DRAWING NUMBER TEST-1H		TITLE TEST PIN		SPEC. DWG.					
				MATERIAL(1) P.B.T		MATERIAL(2) / FINISH PHOSPHER BRONZE / GOLD PLATED		COLOR SEE ABOVE					
				SIZE A4		SCALE 5:1		UNIT mm		REV D		UNLESS OTHERWISE SPECIFIED TOLERANCE ±0.5	