

Suppression Coils

FASTRON suppression coils come with high rated currents and low DC resistance characteristics. Inductance values range from 1µH to 10 000µH. They are available in tape and ammpack packing.

Applications Communication: RF blocking, filtering and decoupling
Others: entertainment electronics and interference suppression

Technical Data

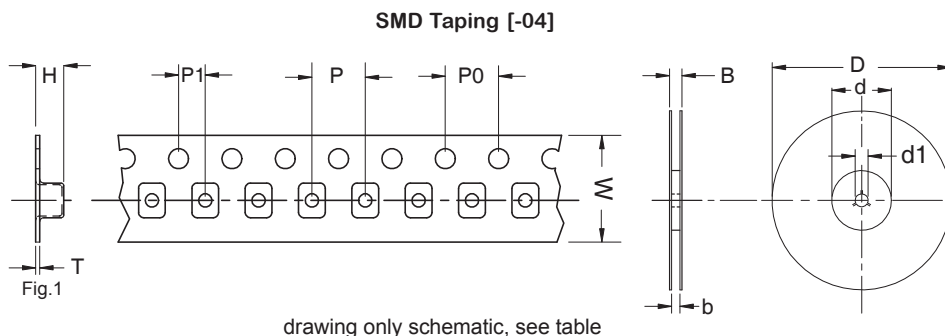
L – Value (rated inductance)	Measured with HP 4194A Impedance / Gain-phase Analyzer at frequency f_L
DCR (max)	Measured at 25°C
Rated DC Current	I based on temperature rise, determined at the point where the temperature rise does not exceed 40°C above the ambient temperature of 25°C
Operating Temperature	-55°C to +125°C (includes component self-heating)
Recommended soldering method	Wave (Leaded) Reflow (MESC SMD version)
Moisture Sensitivity Levels (MSL)	MSL Level 1, indicating unlimited floor life at ≤ 30°C / 85% relative humidity
Solderability	Using lead free solder (Sn 99.9) at 260°C ± 5°C for 5 ± 0.5 seconds, min 90% solder coverage of metallization Standard: IEC 68-2-20 (Ta)
Resistance to Soldering Heat	Resistant to 260°C ± 5°C for 10 ± 1 seconds Standard: IEC 68-2-20 (Tb)
Resistance to Solvent	Resistant to Isopropyl alcohol for 5 ± 0.5 minutes at 23°C ± 5°C Standard: IEC 68-2-45
Climatic Test	Defined by the following standards IEC 68-2-1 for Cold test: -55°C for 96 hours IEC 68-2-2 for Dry heat test: +125°C for 96 hours IEC 60068-2-78 for Humidity test: 40°C at RH 95% for 4 days
Thermal Shock Test	Temperature cycle : -55°C to +125°C to -55°C Max/Min temperature duration: 15 minutes Temperature transition duration: 5 minutes Cycles: 25 Standard: MIL-STD-202G
Tensile Strength of Leads (Pull Test)	Components withstand a pulling force of 20N for 10 ± 1 seconds IEC 60068-2-21 (Ua ₁)
Mechanical Shock	Mil-Std 202 Method 213 Condition C 3 axis, 6 times, total 18 shocks 100 G, 6 ms, half-sine
Vibration	Mil-Std 202 Method 204 20 mins at 5G 10 Hz to 2000 Hz 12 cycles each of 3 orientations

Ordering Code Example: MISC-100X-YY

MISC - **100** **X** - **YY** → **MISC-100M-01**
(Model) (Inductance Value) (Tolerance) (Packing Code)

Core Types - Ferrite, Iron Dust
Tolerances - K (10%), M (20%)
Packing Code - 00 (Loose in Box), 01, 04 (Reel)

Packing Specification



Type	D	d	d1	B	b	W	P	P0	P1	H	T
MESC [-04]	330	100	13	47.5	43.9	44	16	4	2	7.5	0.5

Standard Axial Taping [-01]

