

# Tillex Stella plugs

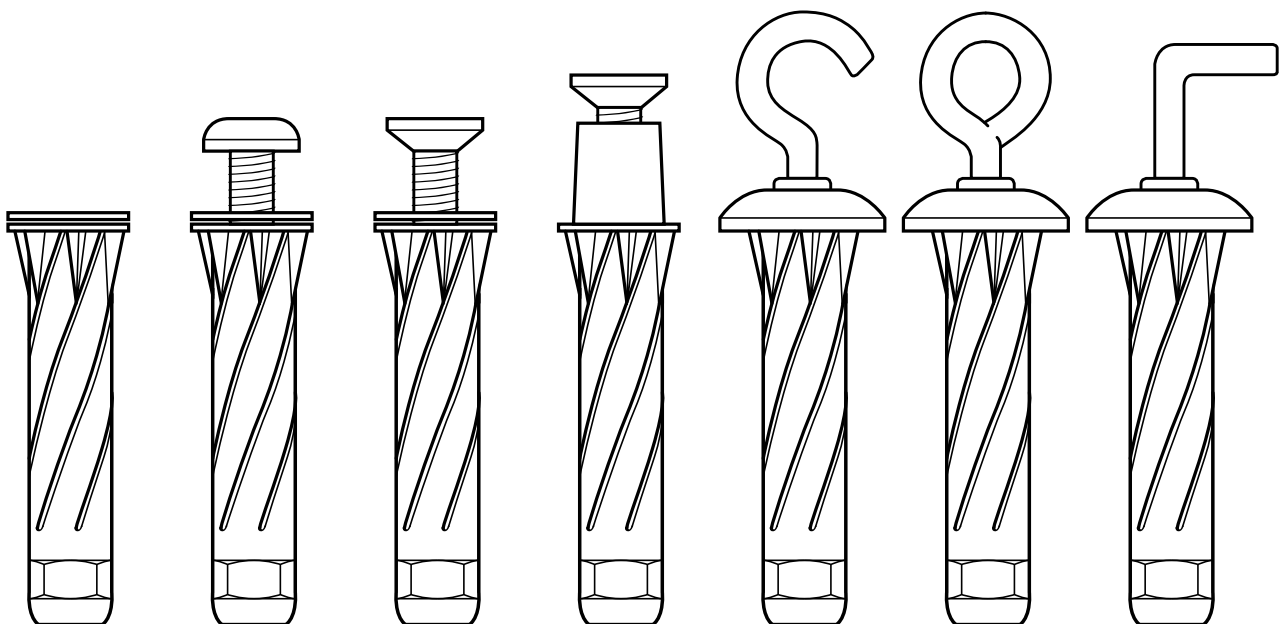
for fixing of heavy objects in plasterboards, chipboards, fibre boards and other boards used in cavity walls

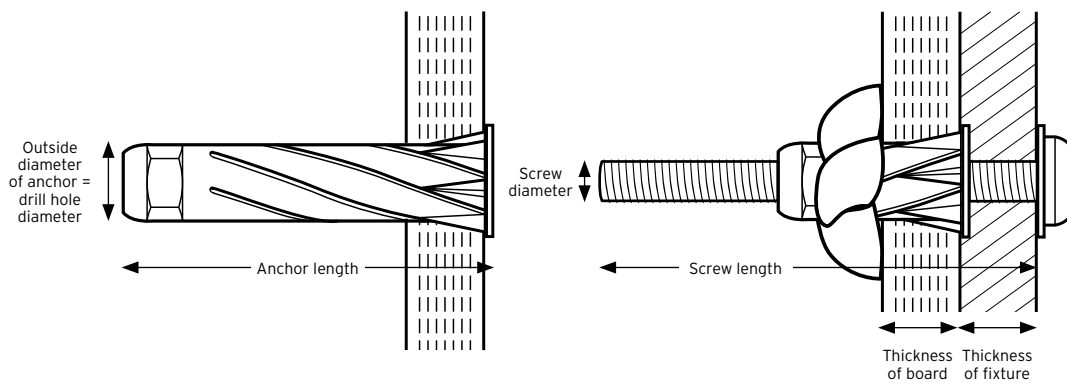
Tillex has now launched the Stella plug which makes it easy to fix heavy objects like shelves, radiators, cupboards, light fittings, lamps and duct mouldings in all types of boards used in cavity walls.

- High load capacity.
- Easy fixing - needs **NO** special tools.
- Equally effective for insulated cavities.
- Will not damage the plasterboard.

#### Materials:

Tillex Stella plugs are made of nylon and withstand temperatures from -40 °C to +80°C  
The screws are 4.8 steel, zinc-plated min. 5 mm.





**Note:**  
 Inside the tip of the Tillex Stella plug is a metal nut. When the screw engages the nut, the plug is contracted to form a star-shaped knot behind the board inside the cavity. The installation is now complete.

Stella plug - Red			Dimensions							Fitting			Load capacity
Type	Assortment	Bit	Ref. no.	E-number	Outside diameter of anchor mm	Anchor length mm	Screw diameter mm	Screw length mm	Thick-ness of fixture mm	Drill hole diameter mm	Thickness of fixture mm	Board layers Number	Recommended tension load kg
Red Pan		-	330009	8339 345 328	10	49	M5	-	0	10	5-18	1	20
Red Pan		Torx 25	330005	8339 345 250	10	49	M5	55	15	10	5-18	1	32
			330007	8339 345 263	10	49	M5	80	40	10	5-18	1	32
Red Pan		PZ2	330011	8339 345 276	10	49	M5	55	15	10	5-18	1	32
			330013	8339 345 289	10	49	M5	80	40	10	5-18	1	32
Red UHJ		Torx 25	330016	8339 345 292	10	49	M5	65	25	10	5-18	1	32
			330018	8339 345 302	10	49	M5	80	40	10	5-18	1	32
Red Collum		Torx 25	330021	8339 345 315	10	49	M5	65	12	10	5-18	1	32
Red Eye (Ø 13 mm)		-	330026	8339 345 357	10	49	M5	55	0	10	5-18	1	20
Red Hook (Ø 13 mm)		-	330031	8339 345 373	10	49	M5	55	0	10	5-18	1	20
Red Angle		-	330036	8339 345 399	10	49	M5	55	0	10	5-18	1	20

Stella plug - Black			Dimensions							Fitting			Load capacity
Type	Assortment	Bit	Ref. no.	E-number	Outside diameter of anchor mm	Anchor length mm	Screw diameter mm	Screw length mm	Thick-ness of fixture mm	Drill hole diameter mm	Thickness of fixture mm	Board layers Number	Recommended tension load kg
Black Pan		-	330054	8339 345 344	10	59	M5	-	0	10	18-30	2	20
Black Pan		Torx 25	330045	8339 345 412	10	59	M5	65	12	10	18-30	2	55
			330047	8339 345 425	10	59	M5	90	38	10	18-30	2	55
Black Pan		PZ2	330051	8339 345 438	10	59	M5	65	12	10	18-30	2	55
			330053	8339 345 441	10	59	M5	90	38	10	18-30	2	55
Black UHJ		Torx 25	330056	8339 345 454	10	59	M5	75	23	10	18-30	2	55
			330058	8339 345 467	10	59	M5	90	38	10	18-30	2	55
Black Collum		Torx 25	330061	8339 345 470	10	59	M5	75	12	10	18-30	2	55
Black Eye (Ø 13 mm)		-	330066	8339 345 506	10	59	M5	55	0	10	18-30	2	20
Black Hook (Ø 13 mm)		-	330071	8339 345 522	10	59	M5	55	0	10	18-30	2	20
Black Angle		-	330076	8339 345 548	10	59	M5	55	0	10	18-30	2	20

**Note:** The cavity must be at least as wide as the larger of either 1) Anchor length less thickness of board, or 2) Screw length less thickness of board and fixture.

**Load capacity** is the recommended maximum load in plasterboards with 300 mm spacing between each Stella plug.

**Safety factor 3** is included. 1 kN ≈ 100 kg.

**Note:** If recommended dimensions and spacings cannot be respected, the load capacity is reduced.