

Cirrus Series



## Cirrus 25



### Features:

- High power size ratio
- Lightweight
- Easy to fit
- Pre-wired
- Independent fan circuit to aid climate cooling with heater off or directional heating with fan on.

DBK's knowledge of thermal management gives us the experience to guide and support you with your technical challenges - we can manage the complete project from concept to full production release.

Cirrus 25		25/1			25/2			
		5W	10W	20W	10W	20W	30W	40W
Nominal Power*	at 10°C	5W	10W	20W	10W	20W	30W	40W
Typical Max. Inrush Current (A) RMS	at 12V AC	0,5	1,5	3	-	2,5	4	5
Typical Max. Inrush Current (A) RMS	at 24V AC	1,3	1,3	3	2,5	-	5,5	9,5
Typical Max. Inrush Current (A) RMS	at 115/230V AC	-	-	-	-	0,5 / 2,5	1 / 3,5	1 / 3,5
Electrical Protection Class		III / SELV	III / SELV	III / SELV	III / SELV	I	I	I
Ingress Protection		IP20	IP20	IP20	IP20	IP20	IP20	IP20
Fan Volumetric Flow	(m³/h)	5,1	5,1	5,1	5,1	5,1	5,1	5,1
Fan Life Time - L10	bei 40°C (Std.)	120.000	120.000	120.000	120.000	120.000	120.000	120.000
Fan Operating Temperature Range	(°C)	-10 to +70	-10 to +70	-10 to +70	-10 to +70	-10 to +70	-10 to +70	-10 to +70
Nominal Input Voltage Fan	(V)	12 DC, 12 AC or 24 AC/DC			24 AC/DC	12 DC, 12 AC or 24 AC/DC		
Nominal Input Voltage Heater	(V)	12 DC, 12 AC or 24 AC/DC			24 AC/DC	12 AC/DC or 115/230	12 AC/DC or 24 AC/DC or 115/230	
Dimensions	Cross Section (mm)	26 x 27	26 x 27	26 x 27	26 x 27	26 x 27	26 x 27	26 x 27
Length	(mm)	50	50	50	72	72	72	72
Weight	(g)	60	60	60	90	90	90	90
Finger Guards at Outlet	(High Voltage Supply)	-	-	-	-	YES	YES	YES
Finger Guards at Outlet	(Low Voltage Supply)	Optional	Optional	Optional	Optional	Optional	Optional	Optional

\*Other power outputs available on request.

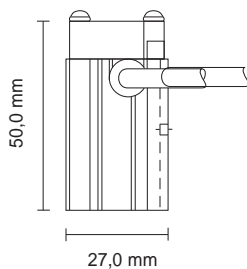
When specifying 12V fan, select either AC or DC operation. For 24V fan operation AC or DC can be applied.

Type	Size	Power	Fan input	AC / DC	Heater Voltage	Finger guard outlet**	DIN Clip**
	1 / 2		12 / 24			1 / 0	1 / 0
C 25	2	30 W	12 V	DC	24 V	0	1

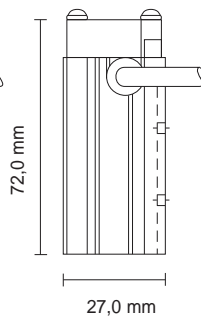
Order Code Example: C 25 / 2 - 30 W - 12 V - DC - 24 V - 0 - 1

\*\* 1 = Yes, 0 = No

Model 25/1



Model 25/2



### Options:

- Finger guard at outlet
- Smartcon® - Cable to allow fan operation from an AC supply of 12/24V
- Fixings - 35 mm DIN Rail clip (EN50022)

### Matching Accessories:



- Thermostats (FGT100, FGT200)
- Dualstat (FGDT Series)

**Cirrus 40**



**Features:**

- High power to size ratio
- Lightweight
- Easy to fit
- Pre-wired
- Independent fan circuit to aid climate cooling with heater off or directional heating with fan on.

DBK's knowledge of thermal management gives us the experience to guide and support you with your technical challenges - we can manage the complete project from concept to full production release.

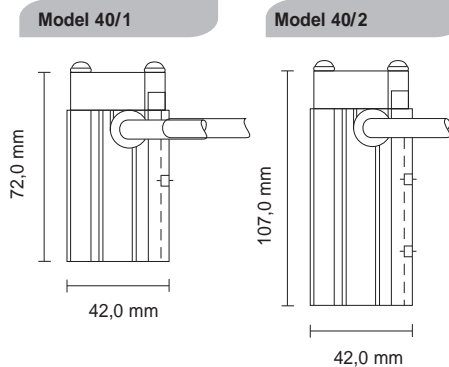
Cirrus 40	40/1				40/2				
	Nominal Power* at 10°C	50W	60W	80W	100W	125W	150W	200W	230W
Typical Max In-Rush Current (A) RMS at 12V AC	5	6,5	-	-	-	-	-	-	
Typical Max In-Rush Current (A) RMS at 24V AC	5,5	7,5	-	-	-	-	-	-	
Typical Max In-Rush Current (A) RMS at 115/230V AC	2/6	1,5/5	2/6,5	1,5/4,5	-/10	-/10	-/10	-/10	
Electrical Protection Class	I	I	I	I	I	I	I	I	
Ingress Protection	IP20	IP20	IP20	IP20	IP20	IP20	IP20	IP20	
Fan Volumetric Flow (m³/h)	13,6	13,6	13,6	13,6	12,4	12,4	12,4	12,4	
Fan Life Time - L10 at 40°C (Std.)	120.000	120.000	120.000	120.000	120.000	120.000	120.000	120.000	
Fan Operating Temperature Range (°C)	-10 to +70	-10 to +70	-10 to +70	-10 to +70	-10 to +70	-10 to +70	-10 to +70	-20 to +60	
Nominal Input Voltage Fan (V)	12 DC, 12 AC oder 24 AC/DC								
Nominal Input Voltage Heater (V)	12 AC/DC, 24 AC/DC or 115/230			115/230					
Dimensions Cross Section (mm)	42 x 42								
Length (mm)	72/77	72/77	77	77	112	112	112	112	
Weight (g)	175	175	175	175	260	260	260	275	
Finger Guards at Outlet (High Voltage Supply)	YES	YES	YES	YES	YES	YES	YES	YES	
Finger Guards at Outlet (Low Voltage Supply)	Optional	Optional	-	-	-	-	-	-	

\* Other power outputs available on request

Type	Size 1 / 2	Power	Fan input 12 / 24	AC / DC	Heater Voltage	Finger Guard**		DIN Clip**	Filter**
						outlet 1/0	inlet 1/0	1 / 0	a
C 40	2	125 W	24V	AC	240 V	1	0	1	1

Order Code Example: C 40 / 2 – 125 W – 24 V – AC – 240 V – 1 – 0 – 1 – 1

\*\* 1 = Yes, 0 = No



**Options:**

- Finger guard on inlet and/or outlet
- Smartcon®- Cable to allow fan operation from an AC supply of 12/24V
- Fixings - 35 mm DIN Rail clip (EN50022)



**Matching Accessories:**

- Thermostats (FGT100, FGT200)
- Dualstat (FGDT Series)

**Cirrus 60**

**Features:**

- High power to size ratio
- Lightweight
- Easy to fit
- Three power settings
- Independent fan circuit to climate cooling with heater off or directional heating with fan on.



**Mounting Bracket Detail**



DBK's knowledge of thermal management gives us the experience to guide and support you with your technical challenges - we can manage the complete project from concept to full production release.

Cirrus 60				
Nominal Power*	at 10°C	400W	300W	200W
Typical Peak In-Rush Current (A) RMS	at 230 VAC	10	8	4
Typical Peak In-Rush Current (A) RMS	at 115 VAC	5	3,5	1,75
Max. Body Temperature	(40°C ambient)	55	50	45
Electrical Protection Class		II	II	II
Ingress Protection		IP20	IP20	IP20
Operating Temperature Range	(°C)	-10 to +70	-10 to +70	-10 to +70
Storage Temperature Range	(°C)	-40 to +70	-40 to +70	-40 to +70
Fan Volumetric Flow at 50Hz (230V AC)	(m3/h)	10	10	10
Fan Volumetric Flow at 60 Hz (115V AC)	(m3/h)	13	13	13
Fan Life Time - L10	at 40°C (hrs)	49.000	49.000	49.000
Nominal Input Voltage (Depending on Variant)	(V)	115/230AC	115/230AC	115/230AC
Dimensions	Cross Section (mm)	71 x 70	71 x 70	71 x 70
Length	(mm)	98,2	98,2	98,2
Harness Length	(mm)	240	240	240
Weight - add 35g for Bracket	(g)	275	275	275
Finger Guards at Inlet (integrated with moulding at outlet)		Yes	Yes	Yes

\* Other power outputs available on request

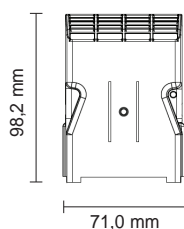
**Ordering Example:**

Type	Power	Heater Voltage	DIN Clip**	Mounting bracket side**	Mounting bracket bulkhead**
			1 / 0	1 / 0	1 / 0
C60	400W	230 V	1	1	0

**Order Code Example: C60 – 400W – 230 V – 1 – 1 – 0**

\*\* 1 = Yes, 0 = No

**Model 60**



**Options:**

- 35mm DIN Rail clip (EN50022)
- Side mounting bracket (4 x M4)
- Bulkhead mounting bracket (4 x M4)

**Matching Accessories:**



- Thermostats (FGT100, FGT200)
- Dualstat (FGDT Series)

**Cirrus 80**

**Features:**

- High power to size ratio
- Light weight
- Easy to fit
- Screw terminal for easy wiring
- Dual power feature
- Independent fan circuit to aid cooling with heater off or directional heating with fan on.

DBK's knowledge of thermal management gives us the experience to guide and support you with your technical challenges - we can manage the complete project from concept to full production release.

Cirrus 80			
Nominal Power*	at 10°C	300 / 600W	450 / 800W
Typical Max.In-Rush Current (A) RMS	at 230V AC	10	11
Typical Max.In-Rush Current (A) RMS	at 115V AC	15	14
Max. Body Temperature	(°C)	55	80
Electrical Protection Class		I	I
Ingress Protection		IP20	IP20
Operating Temperature Range	(°C)	-40 to +60	-40 to +60
Fan Volumetric Flow	(m3/h)	31 - 35	31 - 35
Fan Life Time - L10	at 40°C (hrs)	43.500	43.500
Nominal Input Voltage (Depending on Variant)	(V)	115/230AC	115/230AC
Dimensions	Cross Section (mm)	82 x 110	82 x 110
Length	(mm)	150	150
Weight	(g)	785	785
Finger Guards at Inlet and Outlet		Yes	Yes

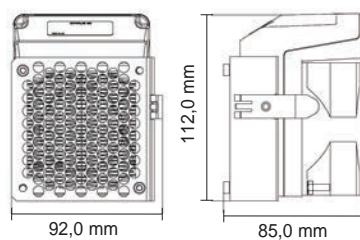
\* Other power outputs available on request

**Ordering Example:**

Type	Power	Heater Voltage	DIN Clip**	Filter**
			1 / 0	1 / 0
C80	600 W	230 V	1	1

**Order Code Example: C80 – 600W – 230 V – 1 – 1**

\*\* 1 = Yes, 0 = No

**Modell 80**

**Options:**

- Filter Assembly (Typical power reduction of 10% when 30 PPI filter fixed)
- Fixings - 35mm DIN Rail clip (EN50022)

**Matching Accessories:**


- Thermostats (FGT100, FGT200)
- Dualstat (FGDT Series)