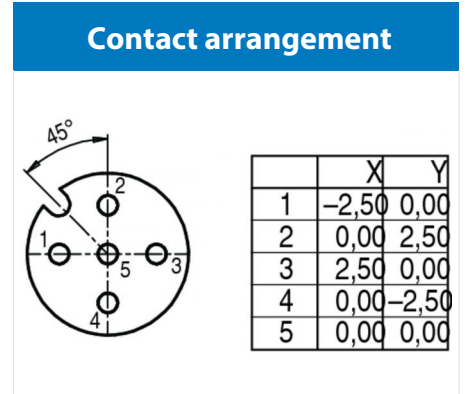
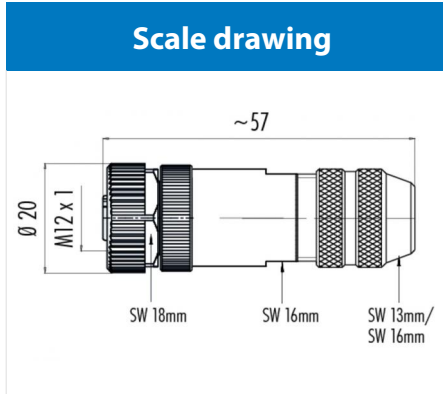


Product description **M12-A female cable connector, Contacts: 5, 6.0 - 8.0 mm, shieldable, wire clamp, IP67**

Area **M12-A series 713**
Order number **99 1538 812 05**



You can find the component part drawing and assembly instructions on the next page.

Technical data

General values

Connector design	female cable connector
Connector locking system	screw
Termination	wire clamp
Wire gauge (mm)	0.50 mm ²
Wire gauge (AWG)	20
Cable outlet	6.0 - 8.0 mm
Upper limit temperature	85 °C
Lower limit temperature	- 40 °C
Customs tariff number	85369010
Packaging Unit	50

Electrical values

Rated current (40 °C)	4 A
Rated voltage	60 V
Rated impulse voltage	1500 V
Pollution degree	3
Overtoltage category	II
Insulating material group	III
Insulation resistance	> 10 ⁸ Ω
EMC compliance	shieldable
Degree of protection	IP67
Mechanical operation	> 100 Mating cycles

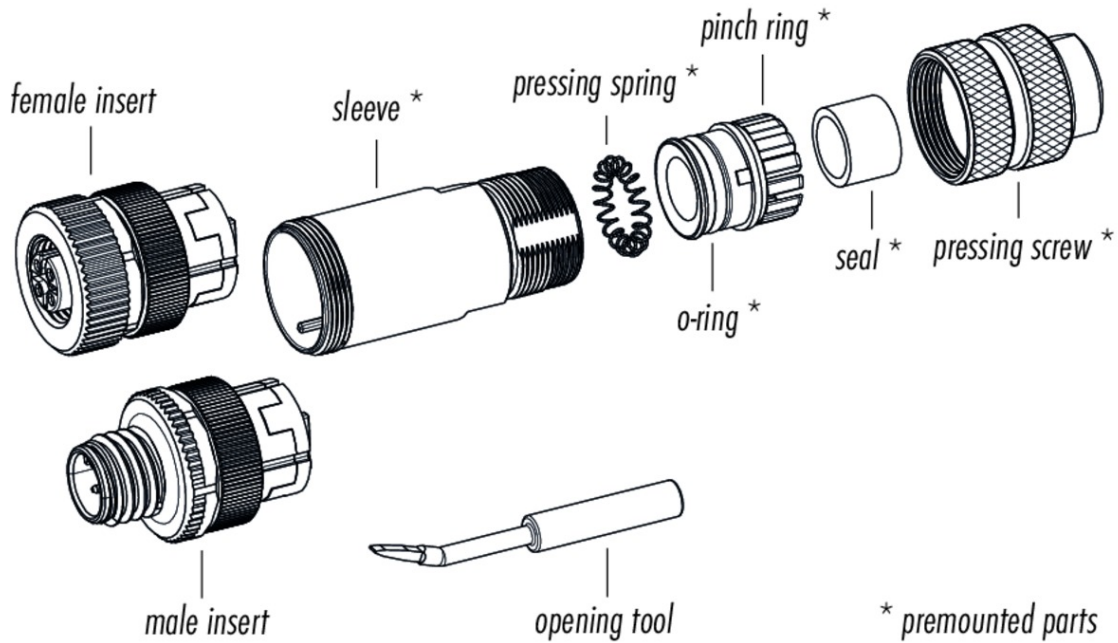
Material

Contact material	CuZn (brass)
Contact plating	Au (gold)
Contact body material	PA
Housing material	Zinc die-cast nickel-plated
REACH SVHC	CAS 7439-92-1 (Blei (Pb)) CAS 96-45-7 (Imidazolidin-2-thion)

Product description **M12-A female cable connector, Contacts: 5, 6.0 - 8.0 mm, shieldable, wire clamp, IP67**

Area **M12-A series 713**
Order number **99 1538 812 05**

Component part drawing



Assembly instructions / Panel cut-out

Isolierhülse in Kupplungshülse fest verbaut
insulating sleeve tightly built into coupling sleeve

40 abmanteln
dismantle

A abisolieren
strip

6

Schirm kürzen, aufweiten und auf Schirmring umschlagen
shorten and widening of shield and revert to shielding ring

Öffnungswerkzeug für Käfigzugfederversion
opening tool for wire clamp connection

	Schraubklemmversion screw connection	Lötversion solder version	Käfigzugfederversion (ohne Isolierhülse) wire clamp connection (without insulating sleeve)
Maß A/mm measure A/mm	5	3,5	7

Product description	M12-A female cable connector, Contacts: 5, 6.0 - 8.0 mm, shieldable, wire clamp, IP67
Area	M12-A series 713
Order number	99 1538 812 05

Security notices

The connectors are designed for use in plant, control system and electrical equipment. The end user is responsible for checking whether the connectors are suitable for use in other applications.

Connectors with degree of protection IP 67 and IP 68 are not suitable for use under water. When used outdoors, the connectors must be separately protected against corrosion. For further information about IP degrees of protection refer to 'Technical support' in the Download Centre.

To lock the cable connector to the equipment connector, the threaded ring is tightened until it is 'finger-tight' (approx. 50 cNm).