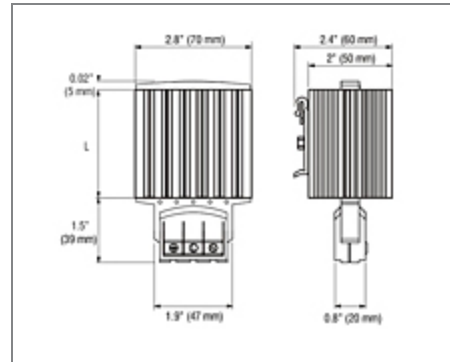
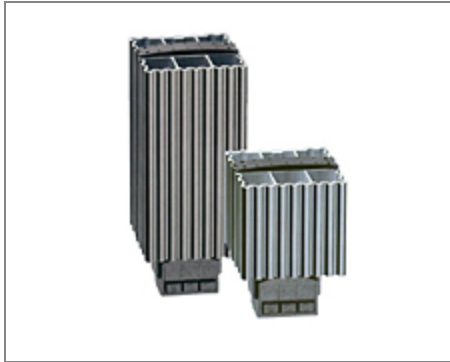


**Stego, Inc.**

1395 South Marietta Parkway

Building 800

Marietta, GA 30067, USA

Toll-Free: (888) 783-4611 • **Phone:** (770) 984-0858**Fax:** (770) 984-0615**Email:** info@stegousa.com • **Website:** www.stegousa.com**Part # 14013.0-00, PTC Heater****Specifications | [Technical Data](#)****Specifications**

| | |
|--------------------------|-----------------|
| Power¹ | 60 W |
| Voltage | 12 - 30 VAC/VDC |
| Max. Current | 4.5 A (inrush) |

Technical Data

| | |
|--------------------------------------|--|
| Heating Element | PTC resistor, temperature limiting |
| Heating Body | Anodized extruded aluminum |
| Connection | Push-type terminals for stranded and solid wire 3 x AWG 20-16 (0.5-1.5 mm ²) |
| Mounting | Clip for 35 mm DIN rail (EN 60 715) |
| Position | Preferably vertical |
| Dimensions | 7.2 x 2.8 x 2.4 inches (179 x 70 x 60 mm) |
| Weight | 14.1 oz (400 g) |
| Operating/Storage Temperature | -49 to 158 °F (-45 to 70 °C) |

| | |
|-------------------------|--------------|
| Protection Type | IP20 |
| Protection Class | I (grounded) |

¹ at 68°F (20°C) ambient temperature