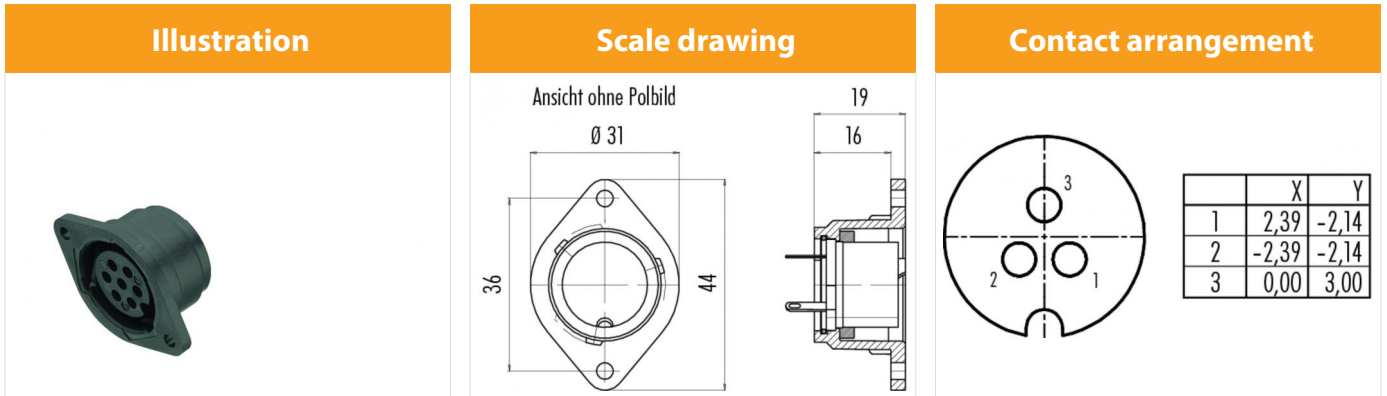


Product description **Bayonet female panel mount connector, Contacts: 3, not shielded, solder, IP40**
 Area **Bayonet series 690**
 Order number **09 0058 00 03**



You can find the component part drawing on the next page.

Technical data

General values

Connector design	female panel mount connector
Connector locking system	Bayonet
Termination	solder
Wire gauge (mm)	2.50 mm ²
Wire gauge (AWG)	14
Upper limit temperature	85 °C
Lower limit temperature	- 40 °C
Customs tariff number	85369010
Packaging Unit	10

Electrical values

Rated current (40 °C)	10 A
Rated voltage	250 V
Rated impulse voltage	2500 V
Pollution degree	1
Overvoltage category	II
Insulating material group	III
Insulation resistance	≥ 10 ¹⁰ Ω
EMC compliance	not shielded
Degree of protection	IP40
Mechanical operation	> 50 Mating cycles

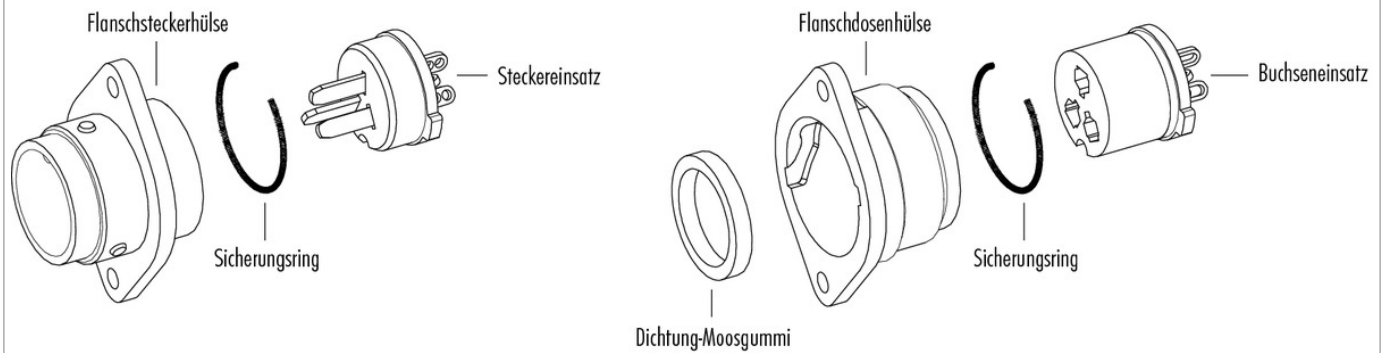
Material

Contact material	CuSn (bronze)
Contact plating	Ag (silver)
Contact body material	PBT (UL 94 V-0)
Housing material	PBT

Product description **Bayonet female panel mount connector, Contacts: 3, not shielded, solder, IP40**

Area **Bayonet series 690**
Order number **09 0058 00 03**

Component part drawing



Product description	Bayonet female panel mount connector, Contacts: 3, not shielded, solder, IP40
Area	Bayonet series 690
Order number	09 0058 00 03

Security notices

The connector must not be connected or separated under load. Non-observance and incorrect use can result in personal injury.

The connectors are designed for use in plant, control system and electrical equipment. The end user is responsible for checking whether the connectors are suitable for use in other applications.