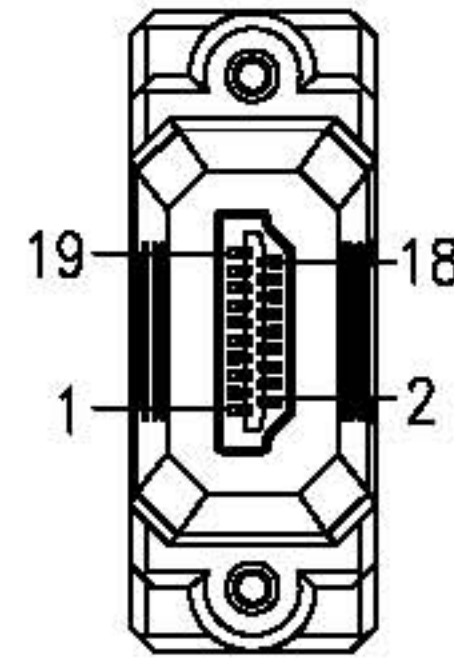
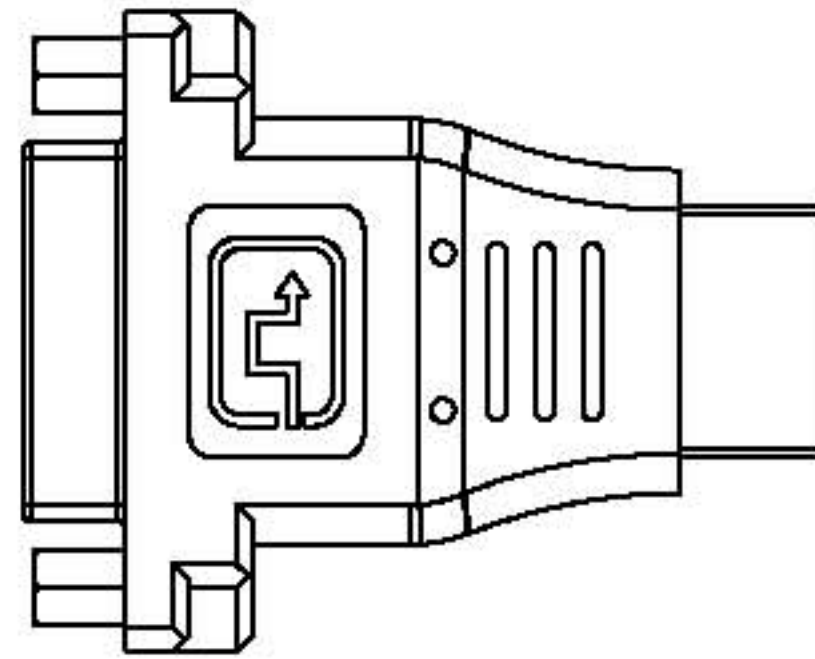


DVI



HDMI

PIN OUT

DVI	HDMI
2	1
1	3
3	2
10	4
9	6
11	5
18	7
17	9
19	8
23	10
24	12
22	11
6	15
7	16
15	17
14	18
16	19
SHELL	SHELL

NOTES:

- 1.1 HDMI 19PIN MALE: BLACK INSULATION, GOLD PLATED CONTACTS, NICKEL PLATED SHELL.
- 1.2 DVI-D (24+1) FEMALE: GOLD PLATED CONTACTS, NICKEL PLATED SHELL.
- 1.3 ALL HOOD: BLACK PVC.

DRAWING APPROVED \_\_\_\_\_ DATE: \_\_\_\_\_

SAMPLE APPROVED PER \_\_\_\_\_ DATE: \_\_\_\_\_  
DRAWING SPECIFICATIONS

PROPRIETARY & CONFIDENTIAL. THIS DOCUMENT MAY NOT BE COPIED, OR DISCLOSED IN WHOLE OR IN PART WITHOUT THE WRITTEN CONSENT OF NINGBO KINGSUN ELECTRONIC CO., LTD.

mm	TITLE	<b>Maxxtro®</b>
SCALE NONE	ADAPTER: DVI TO HDMI	
SHEET 1/2	CUS. NAME CEL-S	
DIMENSIONAL TOLERANCES UNLESS OTHERWISE NOTED	CUS. P/N 101274	
.X ±	.XX ±	P/N
.XXX ±	ANGLES ±	DRAWING NO. KS1003009-E
REV. A/0	CUS. REV	ENG. DATE
		CHECKED DATE
		APPROVED DATE

A/0	NEW ISSUE	2010-3-10
REV.	MODIFY DESCRIPTION	DATE