

5

4

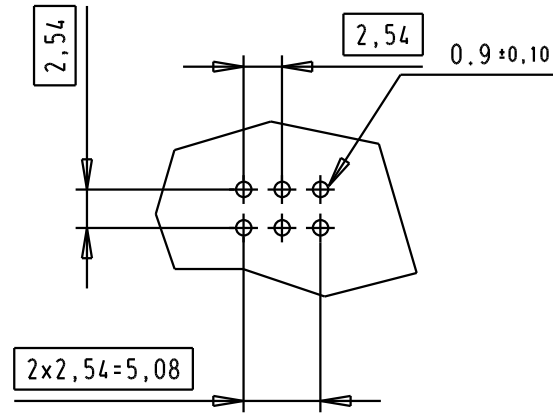
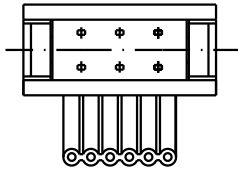
3

2

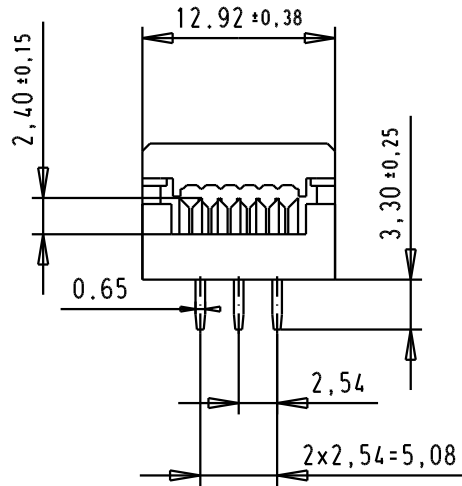
1

Printed board layout, component side

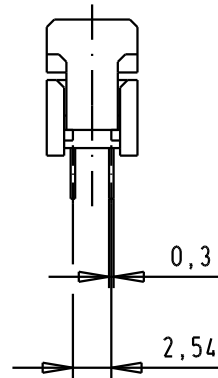
harnessed



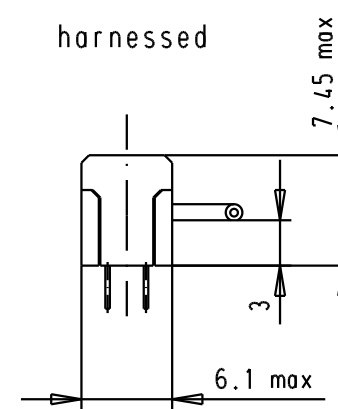
pre assembled





pre assembled



harnessed



				Dat.	Name	 All Dim. in mm Orig. Size DIN A 4	SEK 18, P.C.B Transition 6 poles connector 2 rows	Maßstab/ Scale 2:1
			Detail.	3-02-00	BP			
			Insp.					
			Stand.					
09 18 106 9621.200	NON-ASSEMBLED	32151	01/09/04	TR	HARTING EURL F-95972 Paris		TB 09181069621	Blatt/ Page 1 / 1
09 18 106 9621	PRE-ASSEMBLED	31575	26-NOV-03	SH				
Part Number	Cover	26573	10.02.03	PP				
		Mod.	Dat.	Name			Sub.	