



- Temperature limiting
- Wide voltage range
- Dynamic heating up
- Energy saving
- Compact

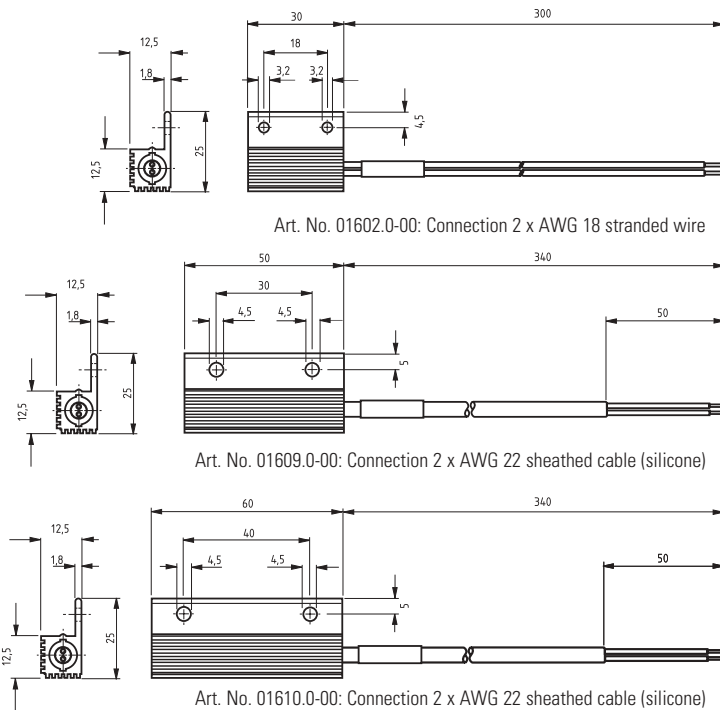
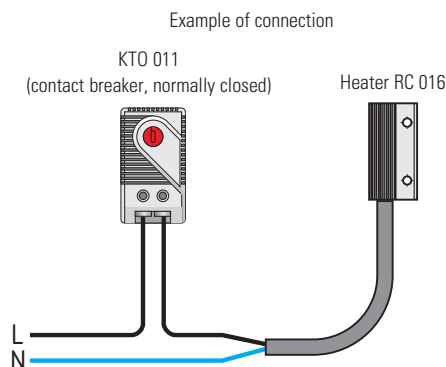
These small heaters are designed to prevent condensation and to ensure a minimum operating temperature in small enclosures.



Technical Data

Operating voltage	120-250V AC/DC*
Heating element	PTC resistor, self regulating and temperature limiting
Heater body	aluminium, anodised
Mounting	screw fixing
Fitting position	variable
Operating/Storage temperature	-45 to +70°C (-49 to +158°F)
Protection type / Protection class	IP32 / II (double insulated)
Approvals	VDE, UL File No. E150057
Note	other voltages on request

*Operating with voltages below 140V AC/DC reduces heating performance by approx. 10%.



Art. No.	Heating capacity*	Inrush current max.	Surface temperature (approx.)	Connection	Weight (approx.)
01602.0-00	8W	2.0A	150°C	2 x AWG 18 stranded wire	20g
01609.0-00	10W	2.5A	155°C	2 x AWG 22 sheathed cable (silicone)	30g
01610.0-00	13W	3.0A	170°C	2 x AWG 22 sheathed cable (silicone)	40g

*at 20°C (68°F) ambient temperature