

# Aluminium Electrolytic Capacitors with Radial/Snap-in Connections

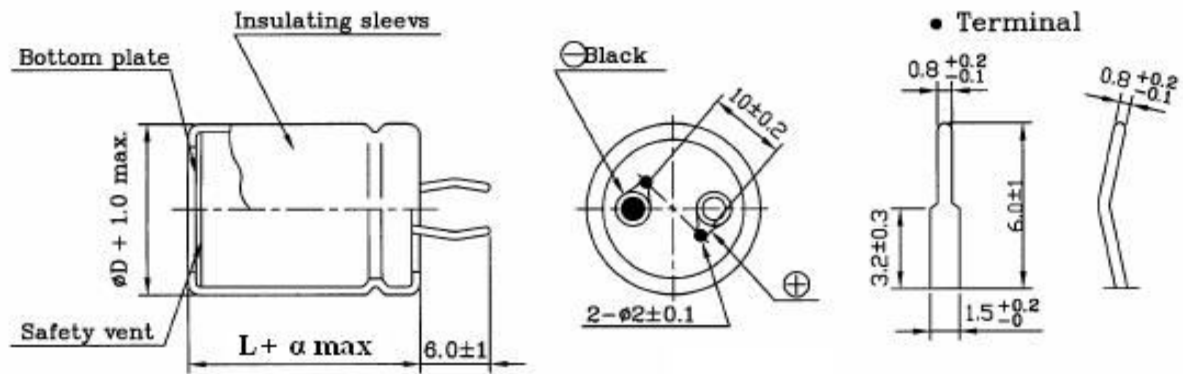


## SPECIFICATION:

Pitch	10 mm
Construction	Radial/Snap-In
Capacitance tolerance	±20%

## Characteristics

<b>Voltage Range</b>	10 ~ 100V		160 ~ 450V				
<b>Capacitance Range</b>	470 ~ 68000uF		47 ~ 2700uF				
<b>Temperature Range</b>	-40 ~ +85°C		-25 ~ +85°C				
<b>Capacitance Tolerance</b>	±20% at 120Hz, 20°C ( 10% Tol. is available upon request)						
<b>Leakage Current</b>	$I = 3\sqrt{CV}$ (uA) max C: Capacitance, V:W.V. (After 5 minutes)						
<b>Dissipation Factor(tanδ) ( at 20°C, 120Hz)</b>	Less than the value under table (%)						
	uF \ W.V.	10 ~ 16	25 ~ 35	50 ~ 63	80 ~ 100	160 ~ 250	350 ~ 450
	47 ~ 390	-	-	-	-	15	20
	470 ~ 3900	25	20	20	20	15	20
	4700 ~ 8200	35	30	30	25		
	10000 ~ 22000	40	35	30	30		
	27000 ~ 47000	45	40	35			
56000 ~ 68000	50	45					
<b>Low Temperature Characteristics (at 120Hz)</b>	Impedance ratio at 120Hz between the -25°C or -40°C value and 20°C value shall not exceed :						
	Rated Voltage	10 ~ 16	25	35 ~ 63	100	160 ~ 250	400 ~ 450
	Z-25°C/Z 20°C	5	4	4	4	4	8
	Z-40°C/Z 20°C	15	15	12	12	-	-
<b>Load Life</b>	Following specifications shall meet when the capacitors are restored to 20°C after rated working voltage applied for 2,000 hours at max. operating temperature with the rated ripple current applied.						
	Capacitance change	≤ ±20% of the initial value.					
	Dissipation factor	≤ ±200% of the initial specified value					
<b>Shelf Life</b>	Leakage current ≤ The initial specified value.						
	After storage for 1000 hours at 85°C with no voltage applied, the capacitor shall meet the specified limit in load life. Pre-treatment for measurement shall be conducted after application of DC working voltage for 30 minutes.						



### Multiplier for Ripple Current vs Frequency

Cap.(uF)\ (Hz)	60	120	1K	10K	50K - 100K
$10 < \text{Cap.} \leq 100$	0.8	1	1.36	1.48	1.53
$100 < \text{Cap.} \leq 1000$	0.8	1	1.25	1.35	1.38
$1000 < \text{Cap.}$	0.8	1	1.17	1.25	1.28

	(mm)	
Dia	22 ~ 25	30 ~ 40
$\alpha$	2	3

#### PRODUCT RANGE:

Art. Nr.	Capacitance	Rated voltage	Dimensions $\phi \times L$	Pitch
RND 150ELP153M25BB	15000 $\mu\text{F}$	25 V	25 x 40 mm	10 mm
RND 150ELP153M50BB	15000 $\mu\text{F}$	50 V	35 x 40 mm	10 mm
RND 150ELP221M2GBB	220 $\mu\text{F}$	400 V	25 x 40 mm	10 mm
RND 150ELP332M2ABB	3300 $\mu\text{F}$	100 V	30 x 40 mm	10 mm
RND 150ELP471M2GBB	470 $\mu\text{F}$	400 V	35 x 40 mm	10 mm

Art. Nr.	Capacitance	Rated voltage	Dimensions $\varnothing$ x L	Pitch
RND 150ELP470M2GBA	47 $\mu$ F	400 V	22 x 25 mm	10 mm
RND 150ELP470M2WBA	47 $\mu$ F	450 V	22 x 25 mm	10 mm
RND 150ELP680M2GBA	68 $\mu$ F	400 V	22 x 25 mm	10 mm
RND 150ELP680M2WBA	68 $\mu$ F	450 V	22 x 25 mm	10 mm
RND 150ELP101M2GBA	100 $\mu$ F	400 V	22 x 30 mm	10 mm
RND 150ELP101M2WBA	100 $\mu$ F	450 V	22 x 35 mm	10 mm
RND 150ELP151M2EBA	150 $\mu$ F	250 V	22 x 25 mm	10 mm
RND 150ELP151M2VBA	150 $\mu$ F	350 V	22 x 35 mm	10 mm
RND 150ELP151M2GBA	150 $\mu$ F	400 V	22 x 40 mm	10 mm
RND 150ELP151M2WBA	150 $\mu$ F	450 V	22 x 45 mm	10 mm
RND 150ELP221M2CBA	220 $\mu$ F	160 V	22 x 25 mm	10 mm
RND 150ELP221M2DBA	220 $\mu$ F	200 V	22 x 25 mm	10 mm
RND 150ELP221M2EBA	220 $\mu$ F	250 V	22 x 30 mm	10 mm
RND 150ELP221M2VBA	220 $\mu$ F	350 V	22 x 45 mm	10 mm
RND 150ELP221M2GBA	220 $\mu$ F	400 V	22 x 45 mm	10 mm
RND 150ELP221M2WBA	220 $\mu$ F	450 V	25 x 50 mm	10 mm
RND 150ELP331M2DBA	330 $\mu$ F	200 V	22 x 30 mm	10 mm
RND 150ELP331M2EBA	330 $\mu$ F	250 V	22 x 35 mm	10 mm
RND 150ELP331M2VBA	330 $\mu$ F	350 V	25 x 50 mm	10 mm
RND 150ELP331M2GBA	330 $\mu$ F	400 V	30 x 40 mm	10 mm
RND 150ELP331M2WBA	330 $\mu$ F	450 V	30 x 45 mm	10 mm
RND 150ELP471M2ABA	470 $\mu$ F	100 V	22 x 25 mm	10 mm
RND 150ELP471M2CBA	470 $\mu$ F	160 V	22 x 30 mm	10 mm
RND 150ELP471M2DBA	470 $\mu$ F	200 V	22 x 35 mm	10 mm
RND 150ELP471M2EBA	470 $\mu$ F	250 V	22 x 45 mm	10 mm
RND 150ELP471M2VBA	470 $\mu$ F	350 V	30 x 45 mm	10 mm
RND 150ELP471M2GBA	470 $\mu$ F	400 V	30 x 50 mm	10 mm
RND 150ELP471M2WBA	470 $\mu$ F	450 V	35 x 45 mm	10 mm
RND 150ELP681M2ABA	680 $\mu$ F	100 V	22 x 25 mm	10 mm
RND 150ELP681M2CBA	680 $\mu$ F	160 V	22 x 40 mm	10 mm
RND 150ELP681M2DBA	680 $\mu$ F	200 V	22 x 45 mm	10 mm
RND 150ELP681M2EBA	680 $\mu$ F	250 V	25 x 50 mm	10 mm
RND 150ELP681M2VBA	680 $\mu$ F	350 V	35 x 50 mm	10 mm
RND 150ELP681M2GBA	680 $\mu$ F	400 V	40 x 50 mm	10 mm
RND 150ELP102M80BA	1000 $\mu$ F	80 V	22 x 25 mm	10 mm
RND 150ELP102M2ABA	1000 $\mu$ F	100 V	22 x 30 mm	10 mm
RND 150ELP102M2CBA	1000 $\mu$ F	160 V	25 x 45 mm	10 mm
RND 150ELP102M2DBA	1000 $\mu$ F	200 V	25 x 50 mm	10 mm
RND 150ELP102M2EBA	1000 $\mu$ F	250 V	30 x 50 mm	10 mm
RND 150ELP152M2DBA	1500 $\mu$ F	200 V	30 x 50 mm	10 mm
RND 150ELP152M2EBA	1500 $\mu$ F	250 V	35 x 50 mm	10 mm
RND 150ELP222M35BA	2200 $\mu$ F	35 V	22 x 25 mm	10 mm
RND 150ELP222M50BA	2200 $\mu$ F	50 V	22 x 25 mm	10 mm
RND 150ELP222M63BA	2200 $\mu$ F	63 V	22 x 25 mm	10 mm

Art. Nr.	Capacitance	Rated voltage	Dimensions ø x L	Pitch
RND 150ELP222M80BA	2200 µF	80 V	22 x 40 mm	10 mm
RND 150ELP222M2ABA	2200 µF	100 V	22 x 50 mm	10 mm
RND 150ELP222M2CBA	2200 µF	160 V	35 x 45 mm	10 mm
RND 150ELP222M2DBA	2200 µF	200 V	35 x 50 mm	10 mm
RND 150ELP332M25BA	3300 µF	25 V	22 x 25 mm	10 mm
RND 150ELP332M35BA	3300 µF	35 V	22 x 25 mm	10 mm
RND 150ELP332M50BA	3300 µF	50 V	22 x 30 mm	10 mm
RND 150ELP332M63BA	3300 µF	63 V	22 x 40 mm	10 mm
RND 150ELP332M80BA	3300 µF	80 V	22 x 50 mm	10 mm
RND 150ELP332M2ABA	3300 µF	100 V	25 x 50 mm	10 mm
RND 150ELP472M16BA	4700 µF	16 V	22 x 25 mm	10 mm
RND 150ELP472M25BA	4700 µF	25 V	22 x 25 mm	10 mm
RND 150ELP472M35BA	4700 µF	35 V	22 x 30 mm	10 mm
RND 150ELP472M50BA	4700 µF	50 V	22 x 35 mm	10 mm
RND 150ELP472M63BA	4700 µF	63 V	25 x 45 mm	10 mm
RND 150ELP472M80BA	4700 µF	80 V	25 x 50 mm	10 mm
RND 150ELP472M2ABA	4700 µF	100 V	30 x 50 mm	10 mm
RND 150ELP682M16BA	6800 µF	16 V	22 x 25 mm	10 mm
RND 150ELP682M25BA	6800 µF	25 V	22 x 30 mm	10 mm
RND 150ELP682M35BA	6800 µF	35 V	22 x 35 mm	10 mm
RND 150ELP682M50BA	6800 µF	50 V	22 x 50 mm	10 mm
RND 150ELP682M63BA	6800 µF	63 V	25 x 50 mm	10 mm
RND 150ELP682M80BA	6800 µF	80 V	30 x 50 mm	10 mm
RND 150ELP682M2ABA	6800 µF	100 V	35 x 50 mm	10 mm
RND 150ELP103M16BA	10000 µF	16 V	22 x 30 mm	10 mm
RND 150ELP103M2ABA	10000 µF	100 V	35 x 80 mm	10 mm
RND 150ELP103M35BA	10000 µF	35 V	25 x 45 mm	10 mm
RND 150ELP103M50BA	10000 µF	50 V	25 x 50 mm	10 mm
RND 150ELP103M63BA	10000 µF	63 V	35 x 50 mm	10 mm
RND 150ELP103M80BA	10000 µF	80 V	35 x 55 mm	10 mm
RND 150ELP153M16BA	15000 µF	16 V	22 x 35 mm	10 mm
RND 150ELP153K25BA	15000 µF	25 V	22 x 50 mm	10 mm
RND 150ELP153M25BA	15000 µF	25 V	22 x 50 mm	10 mm
RND 150ELP153M35BA	15000 µF	35 V	25 x 50 mm	10 mm
RND 150ELP153M50BA	15000 µF	50 V	30 x 50 mm	10 mm
RND 150ELP223M16BA	22000 µF	16 V	22 x 45 mm	10 mm
RND 150ELP223M25BA	22000 µF	25 V	25 x 50 mm	10 mm
RND 150ELP223M35BA	22000 µF	35 V	30 x 45 mm	10 mm
RND 150ELP223M50BA	22000 µF	50 V	35 x 50 mm	10 mm
RND 150ELP333M16BA	33000 µF	16 V	25 x 50 mm	10 mm
RND 150ELP473M25BA	47000 µF	25 V	35 x 50 mm	10 mm
RND 150ELP101M2GGB	100 µF	400 V	25 x 25 mm	10 mm
RND 150ELP103M50BB	10000 µF	50 V	35 x 40 mm	10 mm
RND 150ELP103M50BC	10000 µF	50 V	30 x 40 mm	10 mm
RND 150ELP151M2GBC	150 µF	400 V	30 x 25 mm	10 mm