

## Construction

Metallized polypropylene film

## Applications

For general sine wave applications

Mainly as motor run capacitor

## Features

Self-healing properties

Low dissipation factor

## Mounting Part

Threaded stud at bottom of can (M8)



Illustrative Image

## Specifications

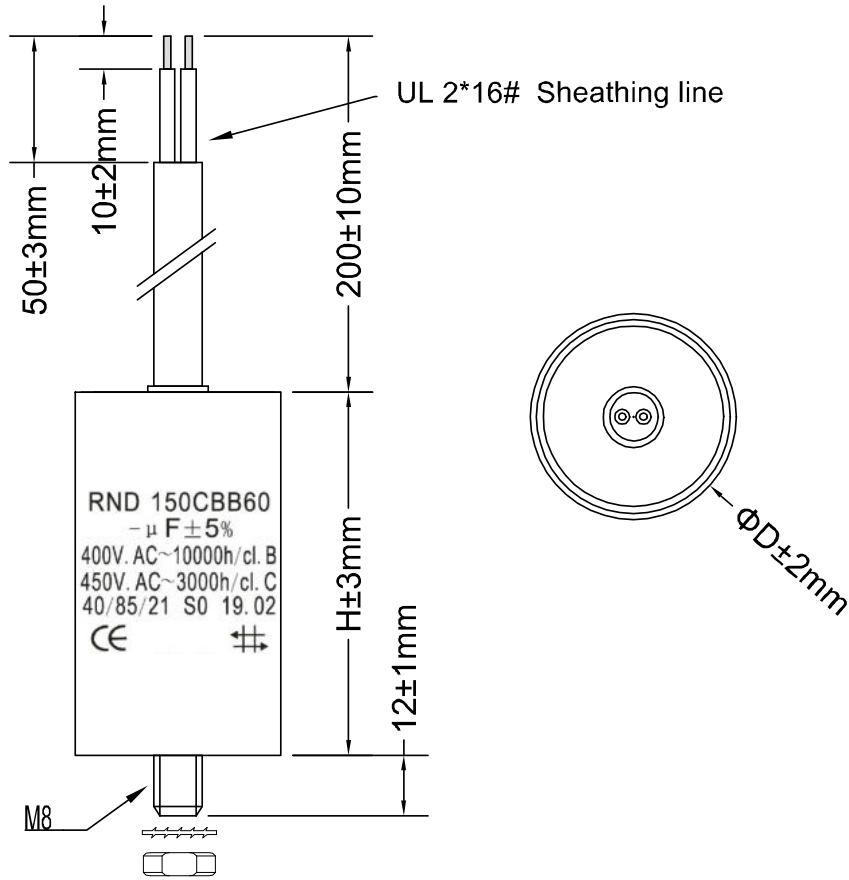
Capacitance Tolerance	±5% (J)
Rated Voltage	450VAC
Rated Frequency	50~60Hz
Dissipation Factor	≤0.0020(100Hz)
VT-T (Lead and Lead)	900VAC/5S
Climatic Category	40/85/21
Fire-Retardant	UL94-V1
Case	PP green plastic
Leads	Sheating line

## Part Number Code (example)

RND 150CBB60 0.47UF 450VCA  
A B C

A: Type of Product Motor Capacitor  
B: Capacitance 0.47  $\mu$ F  
C: Rated Voltage AC 450 V

## Dimensional Drawing



## Ordering Codes

Cap (μF)	2	2.5	3	4	5	6	8	10	12	16	20	25
Dimension (mm)	D	30	30	30	30	30	34	34	34	40	42	40
	H	55	55	55	55	60	60	60	60	70	70	72.5

UL 2\* (20#) Sheathing line

Cap (μF)	80	90	100	125
Dimension (mm)	D	60	60	65
	H	120	120	132

UL 2\* (16#) Sheathing line

Cap (μF)	30	40	50	60	70
Dimension (mm)	D	42	50	50	55
	H	92.5	92.5	108	130

UL 2\* (18#) Sheathing line

# Motor Capacitors with Cable, 50-60Hz

## Product Range:

Part Number	Capacitance	Diameter (D)	Length (L)
RND 150CBB60100UF450VCA	100 $\mu$ F	50 mm	120 mm
RND 150CBB60125UF450VCA	125 $\mu$ F	50 mm	120 mm
RND 150CBB602.5UF450VCA	2.5 $\mu$ F	30 mm	55 mm
RND 150CBB603UF450VCA	3 $\mu$ F	30 mm	55 mm
RND 150CBB605UF450VCA	5 $\mu$ F	30 mm	60 mm
RND 150CBB606UF450VCA	6 $\mu$ F	30 mm	60 mm
RND 150CBB6070UF450VCA	70 $\mu$ F	50 mm	120 mm
RND 150CBB6080UF450VCA	80 $\mu$ F	50 mm	120 mm
RND 150CBB6090UF450VCA	90 $\mu$ F	50 mm	120 mm
RND 150CBB608UF450VCA	8 $\mu$ F	34 mm	60 mm
RND 150CBB6010UF450VCA	10 $\mu$ F	34 mm	60 mm
RND 150CBB6012UF450VCA	12 $\mu$ F	34 mm	70 mm
RND 150CBB6016UF450VCA	16 $\mu$ F	40 mm	70 mm
RND 150CBB6020UF450VCA	20 $\mu$ F	42 mm	73 mm
RND 150CBB6025UF450VCA	25 $\mu$ F	43 mm	93 mm
RND 150CBB602UF450VCA	2 $\mu$ F	30 mm	55 mm
RND 150CBB6030UF450VCA	30 $\mu$ F	42 mm	93 mm
RND 150CBB6040UF450VCA	40 $\mu$ F	50 mm	93 mm
RND 150CBB604UF450VCA	4 $\mu$ F	30 mm	55 mm
RND 150CBB6050UF450VCA	50 $\mu$ F	50 mm	108 mm
RND 150CBB6060UF450VCA	60 $\mu$ F	50 mm	120 mm

## Test Information

NO	Item	Test results	Test methods
3.1	Weldability test	More than 95% is covered with tin on the wire	Solder temperature: $235 \pm 5^\circ\text{C}$ Tin content $\geq 40\%$ Test temperature: $2 \pm 0.5\text{S}$ 99.96% SN+0.04%AG (SN60%/SB40%)
3.2	Cold and heat test Temperature change test	Outward: Without damage $\Delta C/C \leq 1\%$ $\text{tg } \delta : C \leq 1 \mu\text{F}, \leq 0.0015$ $C > 1 \mu\text{F}, \leq 0.0030$	Test temperature: $-40 \pm 2^\circ\text{C}$ Test time: 2 hours Temperature cycle test Upper temperature and lower temperature with 5 circulations and each 30 mins
3.3	Dry heat test	Outward: Without damage $\Delta C/C \leq 1\%$ $\text{tg } \delta : C \leq 1 \mu\text{F}, \leq 0.0015$ $C > 1 \mu\text{F}, \leq 0.0030$	Test temperature: $70 \pm 2^\circ\text{C}$  Test time: 16 hours
3.4	Damp resistance	Outward: Without damage $\Delta C/C \leq 1\%$ $\text{tg } \delta : C \leq 1 \mu\text{F}, \leq 0.0015$ $C > 1 \mu\text{F}, \leq 0.0030$	Test temperature: $40 \pm 2^\circ\text{C}$ Relative humidity: 90-95% Test time: 500 hours
3.5	Life test	Outward: Without damage $\Delta C/C \leq \pm 3\%$ $\text{tg } \delta \leq 0.0020$ (100Hz)	Test temperature: $85 \pm 3^\circ\text{C}$ Test time: 300 hours Test voltage: 1.35UnAC (607.5VAC)
3.6	Storage and use conditions: A.Storage temperature and humidity: $20 \pm 5^\circ\text{C} \leq 70\% \text{RH}$ B.Working life: 3000 hours		