

Series 5310/G

- Test probe for cable harness testing
- Screwable - threaded design
- Screwing tools available

Mechanical Data

Center	2.54 mm/100 mil
Full Travel	4.50 mm
Working Travel	3.50 mm
Pre-loaded Spring Force	0.30 N
Spring Force at Working Travel	1.50 N

Electrical Data

Max. Current Rating	5.0...8.0 A
Typical Continuity Resistance	<= 20 mOhm

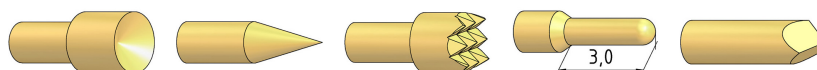
Materials

Barrel	Brass, gold plated
Spring	Spring Steel, gold plated
Plunger	Steel, CuBe
Receptacle	Brass, gold plated

Recommended Diameter of Drill

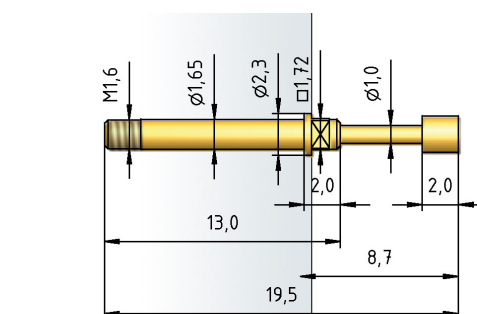
HP 2361.1 (Trolitax)	2.00 mm
HGW 2372	2.03 mm

Tip style - Diameter - Plating

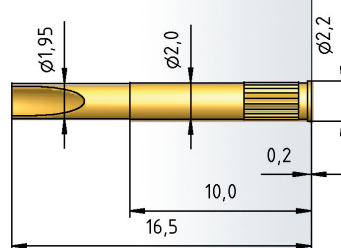


A	B	C	D1	H
2.00C Au	1.00 Au	2.00C Au	0.80 Au	1.00 Au

5310/G



H 5310/GR-L



How to Order

5310/	G	A	1.5 N	Au	2.0	C
1	2	3	4	5	6	7

1. Series 2. Threaded Design 3. Tip Style
4. Spring Force 5. Tip Plating 6. Tip Diameter
7. Tip Material (only for CuBe)