

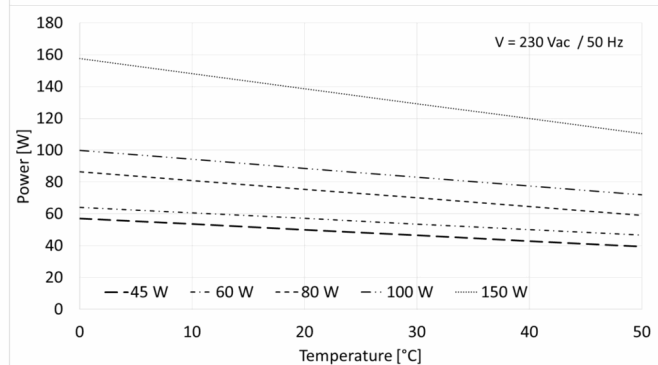
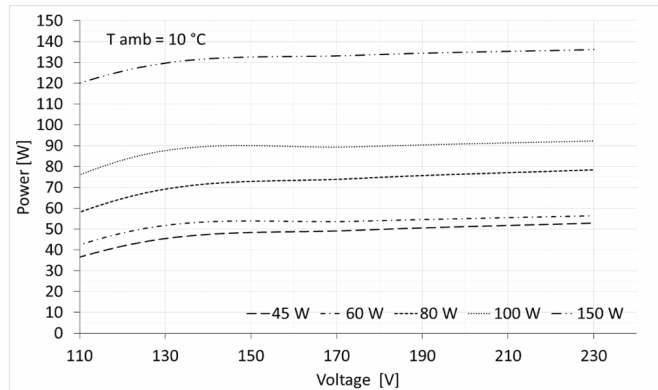
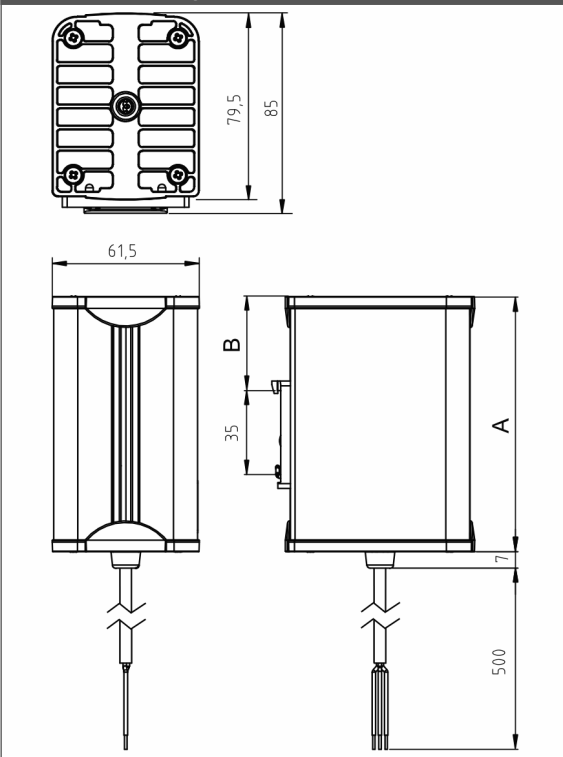
"HWM" HEATERS WITH CABLE

Description: **metal cover**



Heating element: PTC thermistor, self regulating
Heat sink: black anodised extruded aluminium profile
Cover material: black anodised aluminium
Method of mounting: snap-on fixing on RAIL 35mm EN 50022
Rated temperature range: from -30°C to +50°C
Storage temp. range: from -40°C to +70°C
Protection degree by heaters: IP20
Electrical connection: by 3 poles cable L-N-PE
External cable: 3 x 20 AWG cable 500 mm length with FEP insulation and external silicone rubber jacket class I
Appliance class:
Rated voltage range: 110-240 V a.c./d.c.
Rated frequency: 50/60 Hz
Max voltage: 265 V a.c./d.c.
Applicable standards: EN 60335-1, UL508, CSA C22.2 No.14-13
Approvals: CE; cURus

technical drawing



Model	Dimension		Heating Power [W]	I max* [A]	Rated voltage [V]	Weight [Kg]	Approvals
	A [mm]	B [mm]					
HWM045	108	40	45	1.0	110-240 V a.c./d.c.	0.400	CE; cURus;
HWM060	108	40	60	1.7	110-240 V a.c./d.c.	0.400	CE; cURus;
HWM080	158	65	80	1.7	110-240 V a.c./d.c.	0.550	CE; cURus;
HWM100	158	65	100	2.6	110-240 V a.c./d.c.	0.550	CE; cURus;
HWM150	208	90	150	6.5	110-240 V a.c./d.c.	0.750	CE; cURus;

* Maximum transient current within 2 seconds after power on, at worst case (-30°C ambient condition). These values have an uncertainty of 10%.

All specifications, data and drawing are subject to change without notice and are approximate. Please refer to our terms of sales including our warranty and limited liabilities clause.