



**finder**<sup>®</sup>  
SWITCH TO THE FUTURE

# Panel Heaters

25 - 50 - 100 - 150 -  
250 - 400 W

**7H**  
SERIES



Drying kilns



Hoists and cranes



Road / tunnel  
lighting



Plastic  
moulding  
machines



Automatic  
car-washes



Panels for  
electrical  
distribution



Control panels



Forced-air  
ventilators





**Panel heaters**

**Type 7H.51.0.230.0025**

- Heating power 25 W

**Type 7H.51.0.230.0050**

- Heating power 50 W

- Nominal voltage (110...230)V AC/DC
- Safe touch
- PTC resistor, self regulating heating system
- Clip for 35 mm rail (EN 60715) mount

7H.51.0025/0050  
Screw terminal



**7H.51.0.230.0025**



- Heating power 25 W
- Nominal voltage (110...230)V AC/DC
- Safe touch

**7H.51.0.230.0050**



- Heating power 50 W
- Nominal voltage (110...230)V AC/DC
- Safe touch

\* At 20°C ambient temperature

For outline drawings see page 7

**Heating specification**

Heating power *	W	25	50
-----------------	---	----	----

Heater	PTC resistor, self-regulating heating system		
--------	--	--	--

Housing	Plastic according to UL94 – V0, black		
---------	---------------------------------------	--	--

**Supply specification**

Nominal voltage (U <sub>N</sub> )	V AC (50/60 Hz)/DC	110...230	110...230
-----------------------------------	--------------------	-----------	-----------

Rated current	A	0.13	0.20
---------------	---	------	------

Operating range	V AC/DC	88...253	88...253
-----------------	---------	----------	----------

**Technical data**

Radiator	Alluminium profile		
----------	--------------------	--	--

Electrical connection	Screw terminals		
-----------------------	-----------------	--	--

Fitting position	Vertical		
------------------	----------	--	--

Ambient temperature	°C	-45...+50	-45...+50
---------------------	----	-----------	-----------

Protection category		IP20	IP20
---------------------	--	------	------

**Approvals** (according to type)



**Panel heaters**

**Type 7H.51.0.230.0100**

- Heating power 100 W

**Type 7H.51.0.230.0150**

- Heating power 150 W

- Nominal voltage (110...230)V AC/DC
- Safe touch
- PTC self regulating heating system
- Clip for 35 mm rail (EN 60715) mount

7H.51.0100/0150  
Screw terminal



**7H.51.0.230.0100**



- Heating power 100 W
- Nominal voltage (110...230)V AC/DC
- Safe touch

**7H.51.0.230.0150**



- Heating power 150 W
- Nominal voltage (110...230)V AC/DC
- Safe touch

G

\* At 20°C ambient temperature

For outline drawings see page 8

**Heating specification**

Heating power *	W	100	150
Heater		PTC resistor, self-regulating heating system	
Housing		Plastic according to UL94 – V0, black	

**Supply specification**

Nominal voltage (U <sub>N</sub> )	V AC (50/60 Hz)/DC	110...230	110...230
Rated current	A	0.45	0.70
Operating range	V AC/DC	88...253	88...253

**Technical data**

Radiator		Alluminium profile	
Electrical connection		Screw terminals	
Fitting position		Vertical	
Ambient temperature	°C	-45...+50	-45...+50
Protection category		IP20	IP20

**Approvals (according to type)**



**Panel heaters fan assisted**

**Type 7H.51.8.230.0250**

- Heating power 250 W

**Type 7H.51.8.230.0400**

- Heating power 400 W

- Nominal voltage 230 V AC
- Safe touch
- PTC resistor, self regulating heating system
- Fast wiring terminals
- Clip for 35 mm rail (EN 60715) mount

7H.51.0250/0400  
Screwless terminal



**NEW** 7H.51.8.230.0250



- Heating power 250 W
- Nominal voltage 230 V AC
- Fan assisted

**NEW** 7H.51.8.230.0400



- Heating power 400 W
- Nominal voltage 230 V AC
- Fan assisted

\* At 20°C ambient temperature  
For outline drawings see page 8

**Heating specification**

Heating power *	W	250	400
Heater		PTC resistor, self-regulating heating system	
Air flow rate	m <sup>3</sup> /h	30	
Housing		Plastic according to UL94 – V0, black	

**Supply specification**

Nominal voltage (U <sub>N</sub> )	V AC (50/60 Hz)	230	230
Rated current	A	1	1.7
Operating range	V AC	184...253	184...253

**Technical data**

Radiator		Alluminium profile	
Electrical connection		Screwless terminal	
Fitting position		Vertical	
Ambient temperature	°C	-40...+50	-40...+50
Protection category		IP20	IP20

**Approvals** (according to type)



## Ordering information

Example: 7H series, Panel heaters, heating power 50 W, 110...230 V AC/DC.

**7 H . 5 1 . 0 . 2 3 0 . 0 0 5 0**

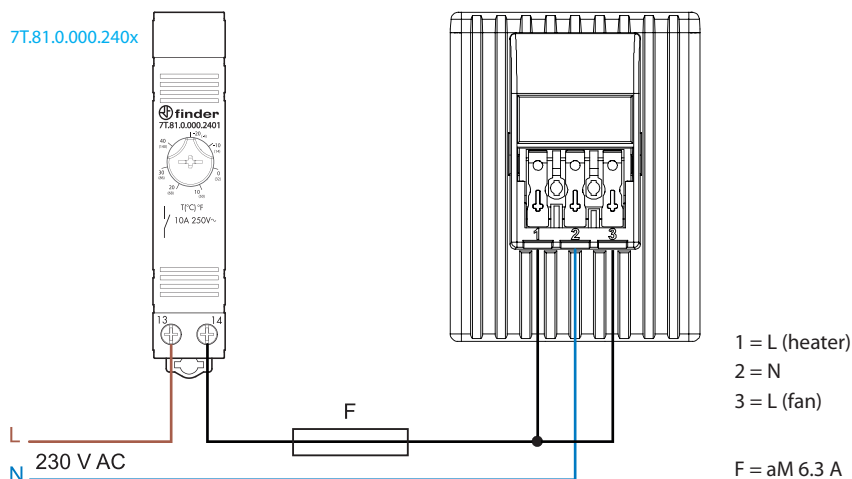
- Series** —————
- Type** —————  
51 = Panel heaters safe touch
- Supply version** —————  
0 = AC (50/60 Hz)/DC  
8 = AC (50/60 Hz) only fan assisted version
- Supply voltage** —————  
230 = 110...230 V  
230 = 230 V only fan assisted version
- Heater power** —————  
0025 = 25 W  
0050 = 50 W  
0100 = 100 W  
0150 = 150 W  
0250 = 250 W  
0400 = 400 W

## General data

Terminals		solid cable	stranded cable
Max. wire size	mm <sup>2</sup>	1 x 2.5	1 x 1.5
	AWG	1 x 12	1 x 16
Screw torque	Nm	0.5	

## Wiring diagrams

### Fan assisted version

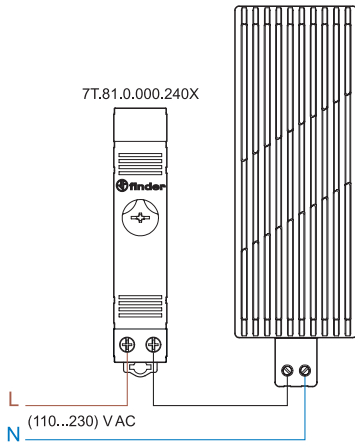


**NOTE:** Separate supply (L) terminals for the heater and the internal fan allow them to be powered independently. So, dependent on the specific situation, the installer might wish the heating element to be controlled by an upstream thermostat but require the fan to run continuously (although the latter will significantly reduce the product's life).

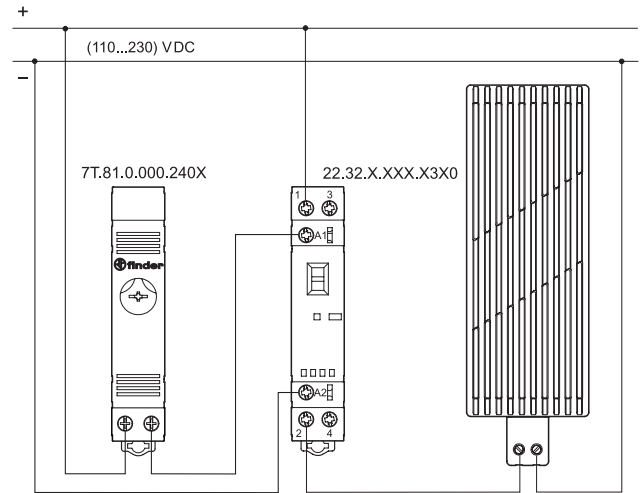
## Wiring diagrams

NOT Fan assisted versions

AC version



DC version



### SAFETY NOTE

For reasons of safety and performance, heaters must be mounted in the following way:

1. keep a distance of 100 mm. from components above and below and of 60 mm from side components
2. install vertically (cables below heater) in the bottom part of cabinet
3. do not mount heaters over easily inflammable materials
4. do not operate in corrosive ambient air

### WARNING

Do not cover the heater.

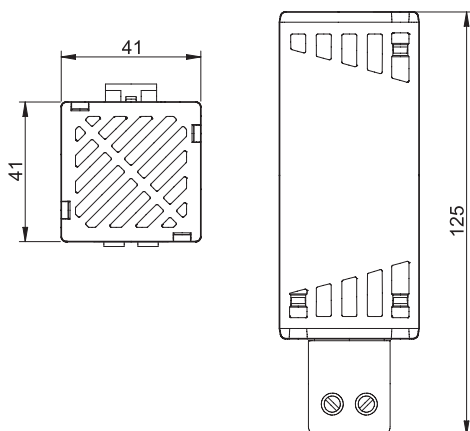
The 7H.51 Heater surface is very hot for 15-20 minutes after disconnecting.

During working and maintenance, don't touch it.

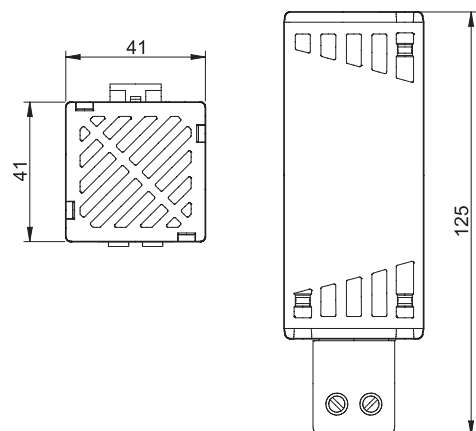
**Caution:** risk of burns.

## Outline drawings

7H.51.0025  
Screw terminal



7H.51.0050  
Screw terminal

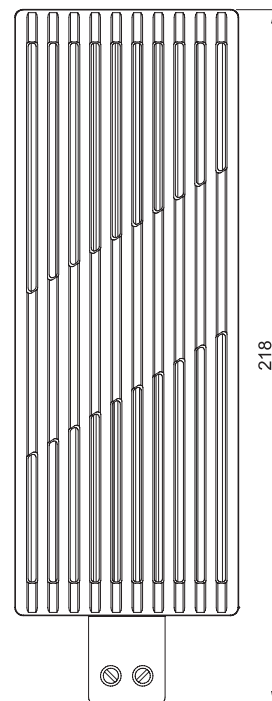
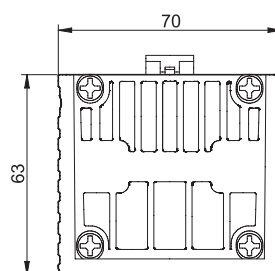
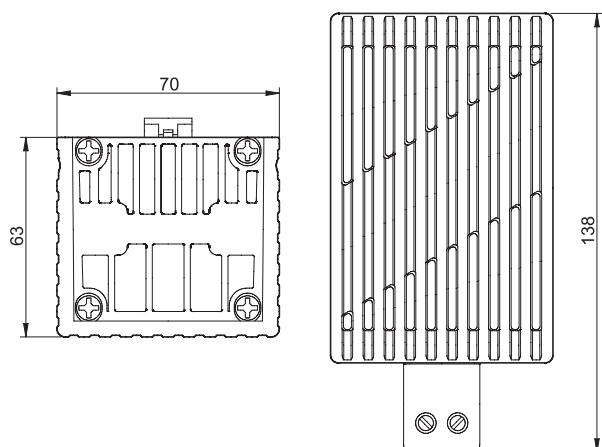


Outline drawings

7H.51.0100  
Screw terminal



7H.51.0150  
Screw terminal



G

7H.51.0250 / 0400  
Screwless terminal

