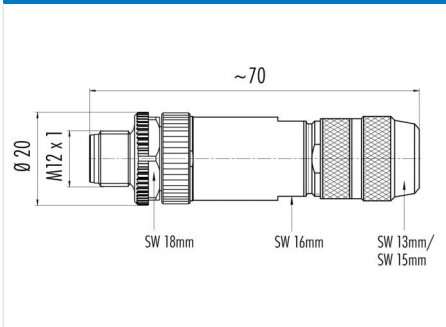


Product description	M12-A male cable connector, Contacts: 5, 5.0 - 8.0 mm, shieldable, screw clamp, IP67, UL
Area	M12-A series 713
Order number	99 1439 814 05

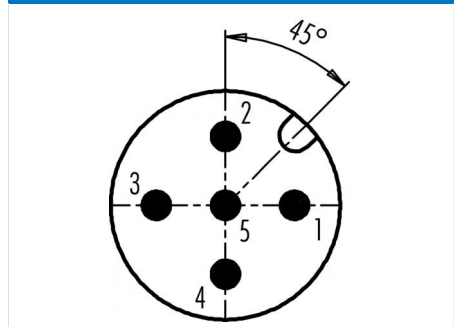
Illustration



Scale drawing



Contact arrangement (Plug-in side)



You can find the component part drawing and assembly instructions on the next page.

Technical data

General features

Order number	99 1439 814 05
Connector design	male cable connector
Version	connector male straight
Connector locking system	screw
Termination	screw clamp
Degree of protection	IP67
Cross-sectional area	max. 0.75 mm ² / max. AWG 18
Cable outlet	5.0 - 8.0 mm
Temperature range from/to	-40 °C / 85 °C
Mechanical operation	> 100 Mating cycles
Weight (g)	46.993
Customs tariff number	85369010

Electrical parameters

Rated voltage	60 V
Rated impulse voltage	1500 V
Rated current (40 °C)	4 A (3 A UL)
Insulation resistance	> 10 ⁹ Ω
Pollution degree	3
Overvoltage category	II
Insulating material group	III
EMC compliance	shieldable
Shield connection	Iris spring

Material

Housing material	Zinc die-cast nickel-plated
Contact body material	PA
Contact material	CuZn (brass)
Contact plating	Au (gold)
REACH SVHC	CAS 7439-92-1 (Lead)

Authorization/approvals

Approval 1	UL
------------	----

Classifications

eCl@ss 11.1	27-44-01-02
ETIM 7.0	EC002635

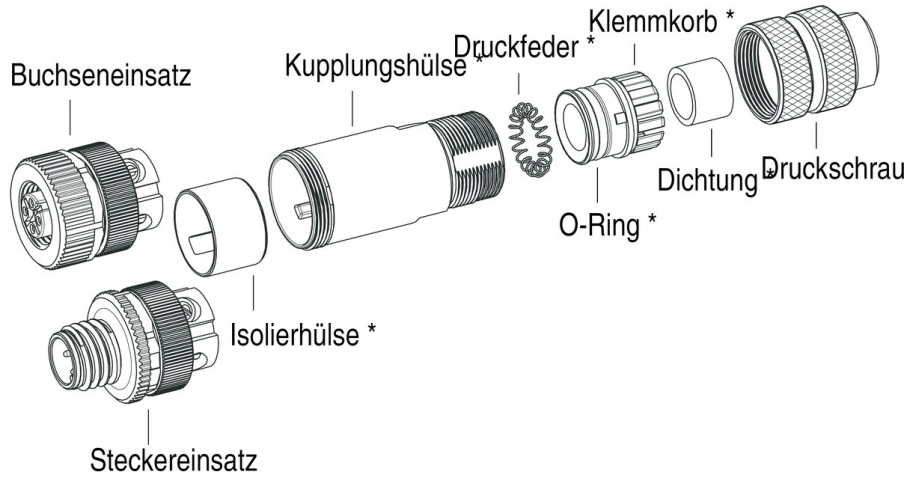
Declarations of conformity

Low Voltage Directive	2014/35/EU (EN 60204-1:2018;EN 60529:1991)
-----------------------	--

Product description **M12-A male cable connector, Contacts: 5, 5.0 - 8.0 mm, shieldable, screw clamp, IP67, UL**

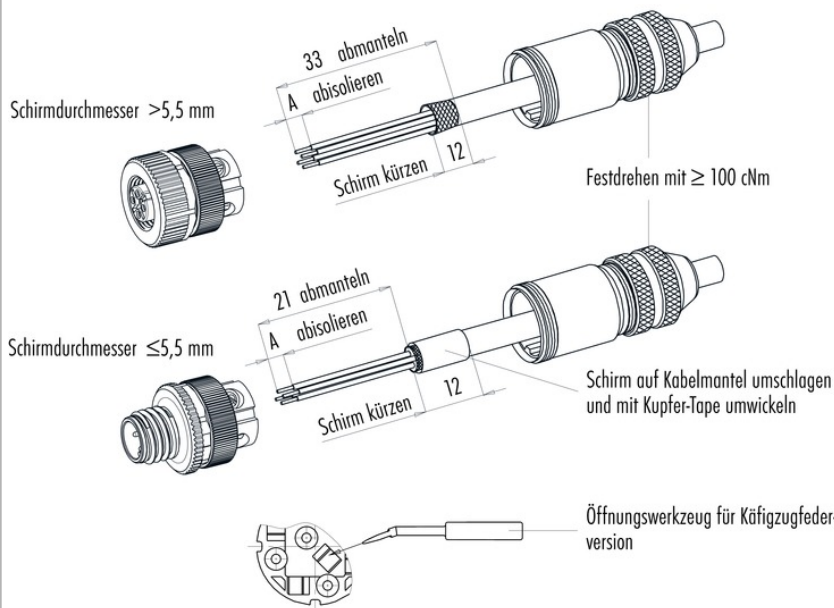
Area **M12-A series 713**
Order number **99 1439 814 05**

Component part drawing



* Teile vormontiert

Assembly instructions / Panel cut-out



- Schirmdurchmesser >5,5 mm**
1. Gehäuse auf Kabel auffädeln.
 2. Abmanteln, abisolieren, Schirm kürzen.
 3. Litzen anschließen (schrauben).
 4. 4 Kontakte bestücken.
 5. Gehäuse mit Stecker- bzw. Buchseneinsatz verschrauben und Druckschraube festdrehen.

- Schirmdurchmesser ≤5,5 mm**
1. Gehäuse auf Kabel auffädeln.
 2. Abmanteln, abisolieren, Schirm kürzen, Schirm auf Kabelmantel umschlagen und mit Kupfer-Tape umwickeln.
 3. Litzen anschließen (schrauben).
 4. 4 Kontakte bestücken.
 5. Gehäuse mit Stecker- bzw. Buchseneinsatz verschrauben und Druckschraube festdrehen.

	Schraubklemmversion	Käfigzugfeder-version
Maß A/mm	5	7

Product description	M12-A male cable connector, Contacts: 5, 5.0 - 8.0 mm, shieldable, screw clamp, IP67, UL
Area	M12-A series 713
Order number	99 1439 814 05

Security notices

The connectors have been developed for applications in plant engineering, control and electrical equipment construction. The user is responsible for checking whether the connectors can also be used in other areas of application.

Plug connectors with enclosure protection IP 67 and IP 68 are not suitable for use under water. When used outdoors, the plug connectors must be protected separately against corrosion. For further information on the IP protection classes, please refer to the "Technical Information" download centre. To lock the cable connector with the device connector, the threaded ring is tightened "hand-tight" (approx. 50 cNm).