



RAYCHEM

TE Internal #: 210059-000

Screened Backshells & Adapters, Straight, Entry Size 6, 54 TE

Adapter Code, Aluminum Alloy, Cable-to-Cable

[View on TE.com >](#)

Connectors > Connector Backshells & Adapters > Screened Backshells & Adapters



Adapter Angle: **Straight**

Accepts Cable Diameter (Max): **9.53 mm [.375 in]**

Adapter Entry Size: **6**

TE Adapter Code: **54**

Backshell Material: **Aluminum Alloy**

Features

Product Type Features

Adapter Angle	Straight
Connector System	Cable-to-Cable
Termination Device Type	Side-Entry Tinel-Lock Ring, Tinel-Lock, Tinel-Lock Ring
Connector Shell Size	10
Sealable	Yes

Body Features

Adapter Underplating Material	Suitable Material per SAE-AS85049 (500 Hour Salt Spray)
Adapter Entry Size	6
TE Adapter Code	54
Backshell Material	Aluminum Alloy
Adapter Plating Material	Cadmium (SAE AMS-QQ-P-416, Type II, Class 3)

Dimensions

Accepts Cable Diameter (Max)	9.53 mm [.375 in]
------------------------------	-------------------

Industry Standards

Connector Detail Specification Number	AS34001, AS34011, AS34041, AS34061, AS34081, AS34091, AS34121, AS34241, AS34461, AS34501, AS34511, AS34541,
---------------------------------------	---



AS34561, AS34641, AS34671, AS34681, M83723/01, M83723/02, M83723/03, M83723/04, M83723/05, M83723/06, M83723/07, M83723/08, M83723/13, M83723/14, M83723/36, M83723/37, M83723/38, M83723/39, M83723/40, M83723/41, M83723/42, M83723/43, M83723/48, M83723/49, M83723/65, M83723/66, M83723/67, M83723/68, M83723/69, M83723/71, M83723/72, M83723/73, M83723/74, M83723/75, M83723/76, M83723/77, M83723/78, M83723/82, M83723/83, M83723/84, M83723/85, M83723/86, M83723/87, M83723/91, M83723/92, M83723/95, M83723/96, M83723/97, M83723/98, MS3459, MS3470, MS3471, MS3472, MS3474, MS3475, MS3476, NAS 1599, NAS 1641, NAS 1642, NAS 1643, NAS 1650, NAS 1651, NAS 1652, NAS 1653, NAS 1692, NAS 1693, NAS 1694, NAS 1699, NAS 1700, NAS 1701, NAS 1702

Other

TE Connector Interface Code	54
Connector General Specification Number	AS50151 Class D,L,U,W Crimp Contact, AS50151 Class D,L,U,W Crimp Contact Less ENDBELL, AS50151 Class L,W Crimp Contact, AS50151 Crimp Contact, AS81703 Series 3, AS81703 Series 3/Class E,L, MIL-DTL-26482 Series 2/Class A,L, MIL-DTL-83723 Series I/Class A,G,R, MIL-DTL-83723 Series I/Class G,R, MIL-DTL-83723 Series III /Class A,G,K,R, MIL-DTL-83723 Series III /Class A,G,K,R,S, MIL-DTL-83723 Series III /Class A,G,R, MIL-DTL-83723 Series III /Class G,R, MIL-DTL-83723 Series III/Class G,R,W, MIL-DTL-83723 Series III/Class S, MIL-DTL-83723 Series IIII/Class H

Product Compliance

[For compliance documentation, visit the product page on TE.com>](#)

EU RoHS Directive 2011/65/EU	Not Compliant
EU ELV Directive 2000/53/EC	Not Compliant
China RoHS 2 Directive MIIT Order No 32, 2016	Restricted Materials Above Threshold
EU REACH Regulation (EC) No. 1907/2006	Current ECHA Candidate List: JUNE 2022 (224)



Candidate List Declared Against: JUL 2021
(219)

SVHC > Threshold:

Cd (3% in Plating)

Pb (.3% in Backshell)

Article Safe Usage Statements:

Use personal protective equipment as required. Do not eat, drink or smoke when using this product. Wash thoroughly after handling. Recycle if possible and dispose of the article by following all applicable governmental regulations relevant to your geographic location.

Halogen Content

Low Halogen - Br, Cl, F, I < 900 ppm per homogenous material. Also BFR/CFR/PVC Free

Solder Process Capability

Not applicable for solder process capability

Product Compliance Disclaimer

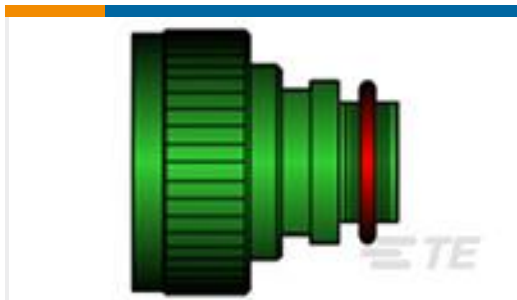
This information is provided based on reasonable inquiry of our suppliers and represents our current actual knowledge based on the information they provided. This information is subject to change. The part numbers that TE has identified as EU RoHS compliant have a maximum concentration of 0.1% by weight in homogenous materials for lead, hexavalent chromium, mercury, PBB, PBDE, DBP, BBP, DEHP, DIBP, and 0.01% for cadmium, or qualify for an exemption to these limits as defined in the Annexes of Directive 2011/65/EU (RoHS2). Finished electrical and electronic equipment products will be CE marked as required by Directive 2011/65/EU. Components may not be CE marked. Additionally, the part numbers that TE has identified as EU ELV compliant have a maximum concentration of 0.1% by weight in homogenous materials for lead, hexavalent chromium, and mercury, and 0.01% for cadmium, or qualify for an exemption to these limits as defined in the Annexes of Directive 2000/53/EC (ELV). Regarding the REACH Regulation, the information TE provides on SVHC in articles for this part number is based on the latest European Chemicals Agency (ECHA) 'Guidance on requirements for substances in articles' posted at this URL: <https://echa.europa.eu/guidance-documents/guidance-on-reach>

Compatible Parts

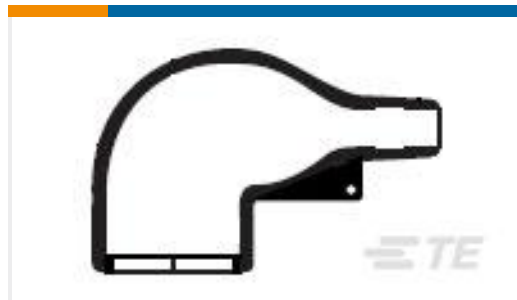


TE Part # 173643-000
RH-3960-1-TINEL-KIT-120V

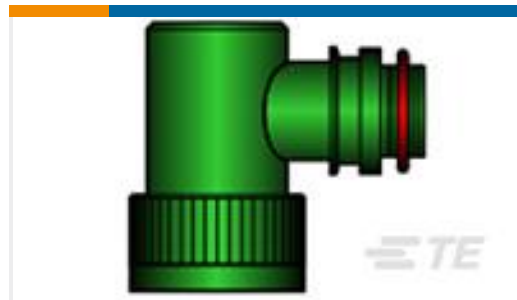
Customers Also Bought



TE Part #996637-000
TXR40AB00-0806AI



TE Part #852990-000
222K174-100/180-0



TE Part #946223-000
TXR40AB90-1612AI



TE Part #490097-000
9530E1014-0



Documents

Product Drawings

[TX54AB00-1006](#)

English

Datasheets & Catalog Pages

[5-1654025-5_sec6_Adapters](#)

English

Circular Backshells

English

Product Specifications

[General Information Package for Tinel-Lock Adapters](#)

English

Product Specification

English

Instruction Sheets

[Instruction Sheet \(U.S.\)](#)

English