



Grove - Protoshield User Manual

Release date: 2015/9/22

Version: 1.0

Wiki: http://www.seeedstudio.com/wiki/Grove_-_Protoshield

Bazaar: http://www.seeedstudio.com/depot/Grove-Protoshield-p-772.html?cPath=44_46

Document Revision History

Revision	Date	Author	Description
1.0	Sep 22, 2015	Loovee	Create file

Contents

Document Revision History	2
1. Introduction	2
2. Features	3
3. Interface	4
4. Usage	5
4.1 Demo: Light LED	5
5. Resource	7

Disclaimer

For physical injuries and possessions loss caused by those reasons which are not related to product quality, such as operating without following manual guide, natural disasters or force majeure, we take no responsibility for that.

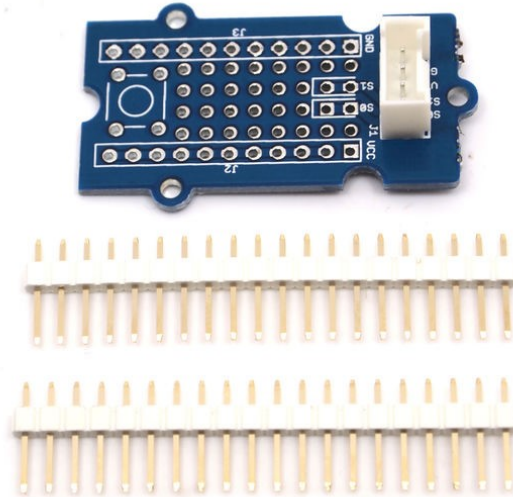
Under the supervision of Seeed Technology Inc., this manual has been compiled and published which covered the latest product description and specification. The content of this manual is subject to change without notice.

Copyright

The design of this product (including software) and its accessories is under tutelage of laws. Any action to violate relevant right of our product will be penalized through law. Please consciously observe relevant local laws in the use of this product.

1. Introduction

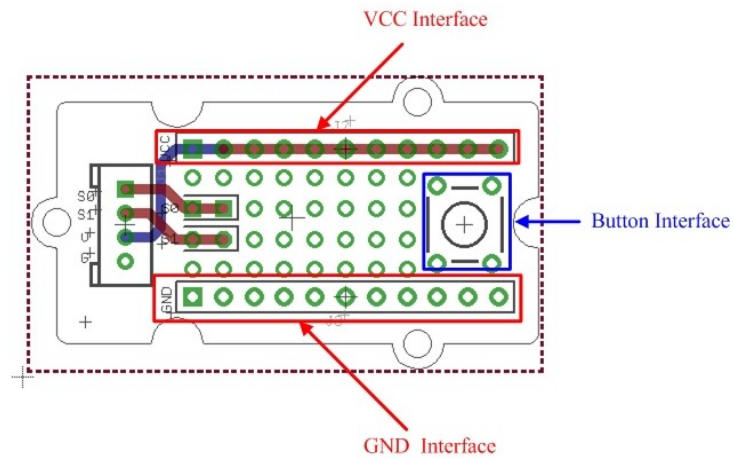
This Grove allows you to add your own circuitry or components to your Grove system prototypes. It gives you access to all four lines from the grove connector cable – S0, S1, VCC and GND. There is also a reserved space for a normally-open button. Standard 2.54mm spacing makes it easy to install normal DIP-format ICs and other components onto the board.



2. Features

- Standardised Grove Interface
- Breadboard style
- Standard spacings
- Silk screen labels
- Reserved space for normally-open button

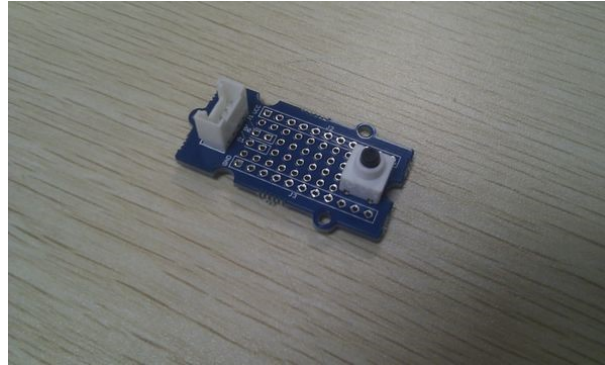
3. Interface



VCC and GND of the Grove interface are routed out as two buses as shown above. You can find soldering pads of Sig0 and Sig1 between two power buses.

4. Usage

VCC and GND of the Grove interface are routed out as two buses as shown above. You can find soldering pads of Sig0 and Sig1 between two power buses. They are marked out by white lines. The square area on the right is for a ubiquitous temporary button, you can easily snap one into it as shown below.



Also the protoshield is shipped with two 20-pin male headers. You can break them into smaller pieces and solder them onto protoshield when you need extension on other breadboard or protoboard. They work well with normal breadboard jumpers.



4.1 Demo: Light LED

1. Insert the longer pin of LED into the VCC interface and the shorter pin into Sig0 interface.
2. Solder LED on the Protoshield.



3. Connect the module to the Digital 8 of Grove - Basic Shield using the 4-pin grove cable.
4. Plug the Grove - Basic Shield into Arduino and connect Arduino to PC by using a USB cable.
5. Copy and paste code below to a new Arduino sketch. Please click [here](#) if you do not know how to upload.

Demo code:

```
int led = 8;

// the setup routine runs once when you press reset:
void setup() {
  // initialize the digital pin as an output.
  pinMode(led, OUTPUT);
}

// the loop routine runs over and over again forever:
void loop() {
  digitalWrite(led, HIGH); // turn the LED on (HIGH is the voltage level)
  delay(1000);             // wait for a second
  digitalWrite(led, LOW);  // turn the LED off by making the voltage LOW
  delay(1000);             // wait for a second
}
```

5. Resource

- [Grove_ - _Protoshield Eagle File](#)