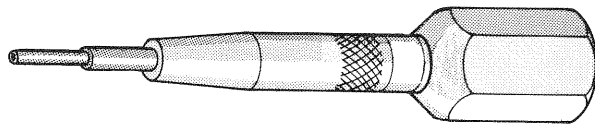



ASTRO TOOL CORP.

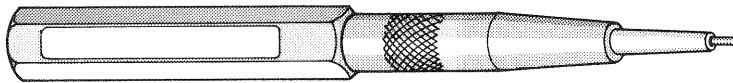
CURRENT DOCUMENT	ASTRO TOOL #	I/R	ILL.	GAGE	SUPERCEDED DOCUMENT
MIL-I-81969/1-01	M81969/1-01	I/R	28	22	MS3156-22
MIL-I-81969/1-02	M81969/1-02	I/R	28	20	MS3156-20, M24308/18-2
MIL-I-81969/1-03	M81969/1-03	I/R	28	16	MS3156-16, M24308/18-3
MIL-I-81969/1-04	M81969/1-04	I/R	28	22D	M24308/18-1
*For Astro's Metal Equivalents See Page 79					
MIL-I-81969/2-01	ATML 0201	I	4	23	MS3323-22
MIL-I-81969/2-02	ATML 0202	I	4	20	MS3323-20
MIL-I-81969/2-03	ATML 0203	I	4	16	MS3323-16
MIL-I-81969/2-04	ATML 0204	I	4	12	MS3323-12
MIL-I-81969/3-01	ATML 0301	R	7	23	MS3344-23
MIL-I-81969/3-02	ATML 0302	R	7	20	MS3344-20
MIL-I-81969/3-03	ATML 0303	R	7	16	MS3344-16
MIL-I-81969/3-04	ATML 0304	R	7	12	MS3344-12
MIL-I-81969/3-05	ATML 0305	R	3	23	MS3342-23
MIL-I-81969/3-06	ATML 0306	R	3	20	MS3342-20
MIL-I-81969/3-07	ATML 0307	R	3	16	MS3342-16
MIL-I-81969/3-08	ATML 0308	R	3	12	MS3342-12
MIL-I-81969/4-01		R			MIL-C-55302/106
MIL-I-81969/4-02		R			
MIL-I-81969/5-01		I			MIL-C-55302/105
MIL-I-81969/6-01		R			MIL-C-21097/18C
MIL-I-81969/7-01		I/R			MIL-C-21097/12B
MIL-I-81969/8-01	ATML 0801B	I	10	22M	MS27495A22M, M55302/79-01
/8-02	ATML 0802B	R	10	22M	MS27495R22M, M55302/79-02
/8-03	ATML 0803B	I	10	22	MS27495A22
/8-04	ATML 0804B	R	10	22	MS27495R22
/8-05	ATML 0805B	I	10	20	MS27495A20
/8-06	ATML 0806B	R	10	20	MS27495R20
/8-07	ATML 0807B	I	10	16	MS27495A16
/8-08	ATML 0808B	R	10	16	MS27495R16
/8-09	ATML 0809B	I	10	12	MS27495A12
/8-10	ATML 0810B	R	10	12	MS27495R12
/8-11	ATML 0811B	I	10	10	
/8-12	ATML 0812B	R	10	10	
/8-13	ATML 0813B	I	10	8	
/8-14	ATML 0814B	R	10	8	
/8-205	ATML 08205B	I	10	20	
/8-206	ATML 08206B	R	10	20	
/8-207	ATML 08207B	I	10	16	
/8-208	ATML 08208B	R	10	16	
/8-209	ATML 08209B	I	10	12	
/8-210	ATML 08210B	R	10	12	



ILL 8

FRONT REMOVAL CONTACT TOOLS

Employing the floating tip concept, these tools offer quality as well as ease in operation. Body and handle are anodized aluminum alloy and color coded. Replaceable tips are available and require no special installing tools.

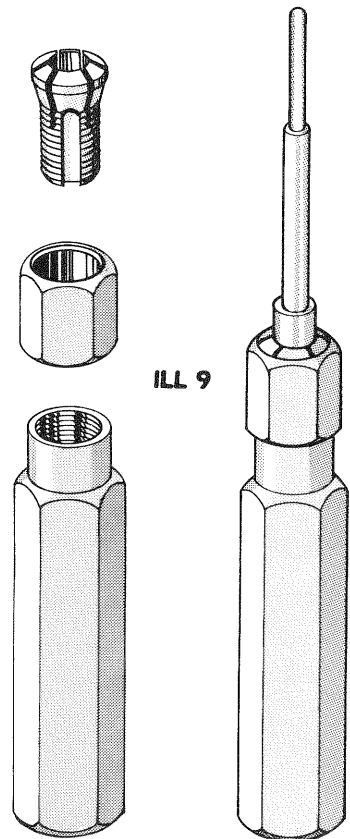


ILL 7

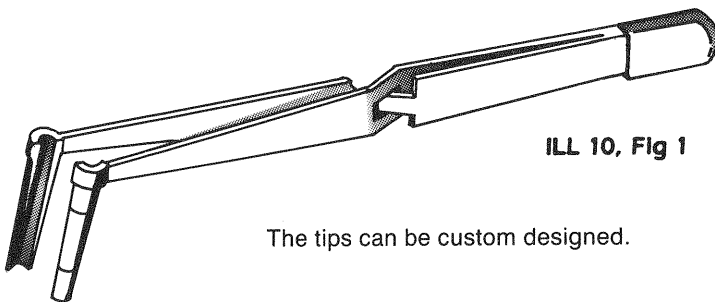
INTERFERENCE FIT CONTACTS

Utilizing a collet handle allows a dual-purpose tool. The tips can be set to remove both pins and sockets or install multi-sized contacts by reversing the replaceable tip.

Handles are aluminum alloy and color coded. Sizes are from 1/8 diameter to 1/4 diameter.



ILL 9

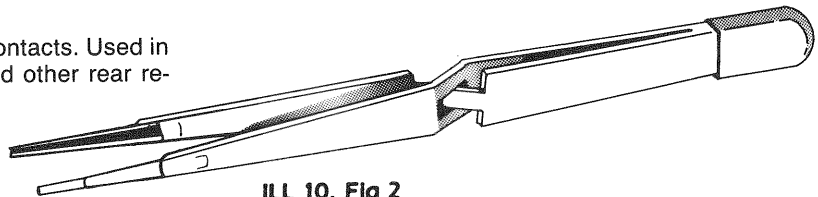


ILL 10, Fig 1

The tips can be custom designed.

REAR REMOVAL AND INSTALLATION TWEEZERS

Tools are for sizes 8 to 24 contacts. Used in NAS 1599, MIL-C-38999 and other rear release connectors.



ILL 10, Fig 2

The tips can be custom designed.