



Connectors > Connector Backshells & Adapters > Screened Backshells & Adapters



Adapter Angle: 90

Accepts Cable Diameter (Max): 9.53 mm [ .375 in ]

Adapter Entry Size: 6

TE Adapter Code: 40

Backshell Material: Aluminum Alloy

### Features

#### Product Type Features

Adapter Angle	90
Connector System	Cable-to-Cable
Termination Device Type	Side-Entry Tinel-Lock Ring, Tinel-Lock, Tinel-Lock Ring
Connector Shell Size	11, B
Sealable	Yes

#### Body Features

Adapter Entry Size	6
TE Adapter Code	40
Backshell Material	Aluminum Alloy
Adapter Plating Material	Electroless Nickel (SAE AMS-C-26074, Class 1, Grade B), Electroless Nickel per AMS-C-26074 Class 3 or 4, Grade B

#### Dimensions

Accepts Cable Diameter (Max)	9.53 mm [.375 in]
------------------------------	-------------------

#### Industry Standards

Connector Detail Specification Number	D38999/20, D38999/24, D38999/26, D38999/40, D38999/42, D38999/46, D38999/47
---------------------------------------	---

#### Other



TE Connector Interface Code	40
Connector General Specification Number	MIL-DTL-38999 Series III/Class C,F,K,W, MIL-DTL-38999 Series IV/Class C,F,W, MIL-DTL-38999 Series IV/Class C,W, MIL-DTL-38999 Series IV/Class F,W

## Product Compliance

[For compliance documentation, visit the product page on TE.com>](#)

EU RoHS Directive 2011/65/EU	Compliant
EU ELV Directive 2000/53/EC	Compliant
China RoHS 2 Directive MIIT Order No 32, 2016	No Restricted Materials Above Threshold
EU REACH Regulation (EC) No. 1907/2006	Current ECHA Candidate List: JUNE 2022 (224) Candidate List Declared Against: JUL 2021 (219) SVHC > Threshold: Pb (.3% in BODY & NUT) <b>Article Safe Usage Statements:</b> Do not eat, drink or smoke when using this product. Wash thoroughly after handling. Recycle if possible and dispose of the article by following all applicable governmental regulations relevant to your geographic location.
Halogen Content	Low Halogen - Br, Cl, F, I < 900 ppm per homogenous material. Also BFR/CFR/PVC Free
Solder Process Capability	Not applicable for solder process capability

### Product Compliance Disclaimer

This information is provided based on reasonable inquiry of our suppliers and represents our current actual knowledge based on the information they provided. This information is subject to change. The part numbers that TE has identified as EU RoHS compliant have a maximum concentration of 0.1% by weight in homogenous materials for lead, hexavalent chromium, mercury, PBB, PBDE, DBP, BBP, DEHP, DIBP, and 0.01% for cadmium, or qualify for an exemption to these limits as defined in the Annexes of Directive 2011/65/EU (RoHS2). Finished electrical and electronic equipment products will be CE marked as required by Directive 2011/65/EU. Components may not be CE marked. Additionally, the part numbers that TE has identified as EU ELV compliant have a maximum concentration of 0.1% by weight in homogenous materials for lead, hexavalent chromium, and mercury, and 0.01% for cadmium, or qualify for an exemption to these limits as defined in the Annexes of Directive 2000/53/EC (ELV). Regarding the REACH Regulation, the information TE provides on SVHC in articles for this part number is based on the latest European Chemicals Agency (ECHA) 'Guidance on requirements for substances in articles' posted at this URL: <https://echa.europa.eu/guidance-documents/guidance-on-reach>

## Compatible Parts



TE Part # 173643-000  
[RH-3960-1-TINEL-KIT-120V](#)

## Customers Also Bought



TE Part #DT04-2P  
[DEUTSCH DT HOUSINGS](#)



TE Part #W2S  
[DEUTSCH DT WEDGELOCKS](#)



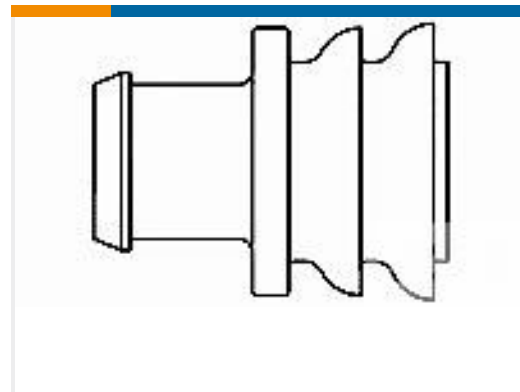
TE Part #282104-1  
[AMP SUPERSEAL 1.5MM, CONNECTOR HOUSING](#)



TE Part #206070-8  
[CABLE CLAMP KIT #17](#)



TE Part #0460-202-16141  
[DEUTSCH SOLID CONTACTS](#)



TE Part #281934-2  
[SINGLE WIRE SEAL](#)

## Documents

### Product Drawings

[TX40AC90-1006](#)

English

### Datasheets & Catalog Pages

[5-1654025-5\\_sec6\\_Adapters](#)

English

### Circular Backshells

English

### Product Specifications

[General Information Package for Tinel-Lock Adapters](#)

English

### Product Specification

English

### Instruction Sheets

[Instruction Sheet \(U.S.\)](#)



English